


NOW ALSO IN HYGIENIC BLUE 

<b>301</b>  Pag 450	<b>302</b>   Pag 450	<b>305</b>  Pag 451	<b>306</b>  Pag 451	<b>307</b>  Pag 452	<b>308</b>  Pag 452
<b>309</b>  Pag 453	<b>310</b>  Pag 453	<b>311</b>  Pag 454	<b>312</b>  Pag 454	<b>321</b>   Pag 455	<b>322</b>  Pag 455
<b>323</b>  Pag 455	<b>398</b>   Pag 456	<b>398</b>   Pag 456	<b>398</b>  Pag 457	<b>398</b>  Pag 458	<b>398</b>  Pag 459
<b>398</b>  Pag 460	<b>398</b>  Pag 461	<b>398</b>  Pag 462	<b>398</b>  Pag 463	<b>313</b>   Pag 464	<b>314</b>   Pag 464
<b>315</b>  Pag 465	<b>316</b>  Pag 465	<b>317</b>   Pag 466	<b>317</b>   Pag 466	<b>318</b>  Pag 467	<b>319</b>  Pag 467
<b>3001</b>  Pag 467	<b>317</b>  Pag 468	<b>320</b>  Pag 468	<b>3007</b>  Pag 468	<b>3008</b>  Pag 469	<b>3002</b>  Pag 469
<b>324</b>   Pag 470	<b>325</b>   Pag 470	<b>3009</b>   Pag 470	<b>326</b>   Pag 471	<b>3013</b>  Pag 471	<b>3010</b>  Pag 471
<b>327</b>  Pag 472	<b>3012</b>  Pag 472	<b>337</b>   Pag 473	<b>338</b>   Pag 473	<b>339</b>   Pag 473	<b>328</b>  Pag 474

<b>329</b>  Pag 474	<b>330</b>  Pag 474	<b>390</b>  Pag 474	<b>392</b>  Pag 475	<b>393</b>  Pag 475	<b>336</b>  Pag 475
<b>394</b>  Pag 476	<b>341</b> <b>HB</b>  Pag 476	<b>341</b> <b>HB</b>  Pag 476	<b>3310</b>  Pag 477	<b>3311</b>  Pag 477	<b>345</b>  Pag 477
<b>349</b>  Pag 478	<b>350</b>  Pag 478	<b>351</b>  Pag 478	<b>3004</b>  Pag 479	<b>352</b>  Pag 479	<b>3005</b>  Pag 479
<b>347</b>  Pag 480	<b>348</b>  Pag 480	<b>346</b>  Pag 480	<b>356</b>  Pag 481	<b>357</b>  Pag 481	<b>3011</b> <b>HB</b>  Pag 481
<b>335</b>  Pag 482	<b>358</b>  Pag 483	<b>364</b>  Pag 483	<b>359</b>  Pag 484	<b>365</b>  Pag 484	<b>360</b>  Pag 485
<b>360</b>  Pag 486	<b>366</b>  Pag 485/486	<b>361</b>  Pag 487	<b>361</b>  Pag 488	<b>367</b>  Pag 487/488	<b>364-365</b>  Pag 489
<b>366-367</b>  Pag 490	<b>366</b>  Pag 491	<b>367</b>  Pag 491	<b>364</b>  Pag 492	<b>365</b>  Pag 492	<b>395</b>  Pag 493
<b>362</b>  Pag 493	<b>333</b>  Pag 493	<b>358/359/360/361</b>  Pag 493	<b>3014</b>  Pag 493	<b>353</b>  Pag 494	<b>354</b>  Pag 494
<b>355</b>  Pag 494	<b>363</b>  Pag 495	<b>396</b>  Pag 496	<b>363</b>  Pag 497	<b>36399</b>  Pag 497	<b>199/299</b>  Pag 498
<b>368</b>  Pag 499	<b>369</b>  Pag 499	<b>370</b>  Pag 500	<b>371</b>  Pag 500	<b>342</b>  Pag 501	<b>372</b> <b>HB</b>  Pag 502
<b>373</b>  Pag 502	<b>383</b>  Pag 502	<b>384</b>  Pag 503	<b>386</b>  Pag 503	<b>3003</b>  Pag 504	<b>397</b>  Pag 504



# Conveyor components

**Materiale / Material / Materialien:**

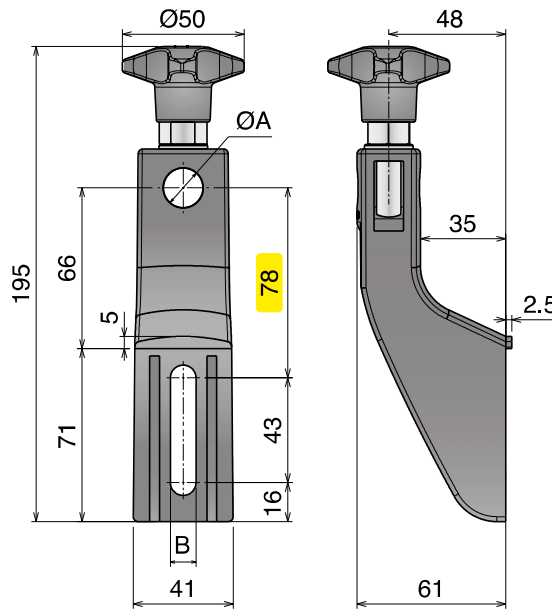
Supporto: PA/Support: PA/Halter: PA

Volantino: PA+ottone nichelato/Knob: PA+nickel plated brass/Sterngriff: PA+ Messing vernickelt

Tirante: Acciaio inox/Eyebolt: Stainless steel/Augenschraube: Edelstahl

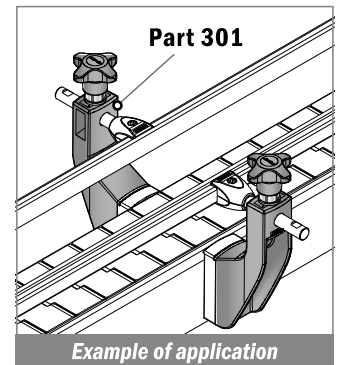
## 301 Supporto laterale -piccolo- Side bracket -small- / Geländerhalter -klein-

Delivery: **Easy** Standard



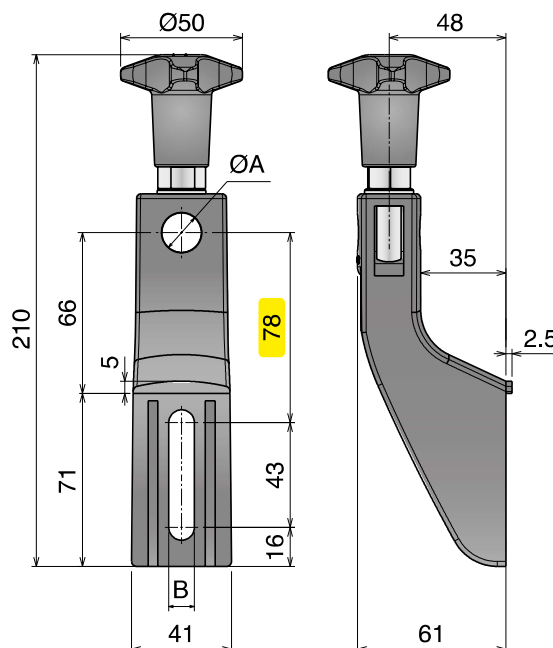
**NOW ALSO IN HYGIENIC BLUE**

Part	Article-Nr.	ØA	B	Colour
301	30101	12	9	Black
301	30105	14	9	Black
301	30102	16	9	Black
301	30103	12	10,5	Black
301	30106	14	10,5	Black
301	30104	16	10,5	Black
301	30151	12	9	Hygienic blue
301	30155	14	9	Hygienic blue
301	30152	16	9	Hygienic blue
301	30153	12	10,5	Hygienic blue
301	30156	14	10,5	Hygienic blue
301	30154	16	10,5	Hygienic blue



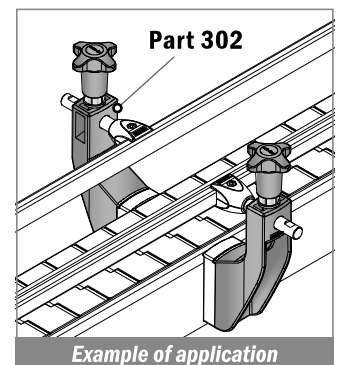
## 302 Supporto laterale -piccolo- volantino alto Side bracket -small- high knob / Geländerhalter -klein- hoher Sterngriff

Delivery: **Easy** Standard



**NOW ALSO IN HYGIENIC BLUE**

Part	Article-Nr.	ØA	B	Colour
302	30201	12	9	Black
302	30205	14	9	Black
302	30202	16	9	Black
302	30203	12	10,5	Black
302	30206	14	10,5	Black
302	30204	16	10,5	Black
302	30251	12	9	Hygienic blue
302	30255	14	9	Hygienic blue
302	30252	16	9	Hygienic blue
302	30253	12	10,5	Hygienic blue
302	30256	14	10,5	Hygienic blue
302	30254	16	10,5	Hygienic blue



**Materiale / Material / Materialien:**

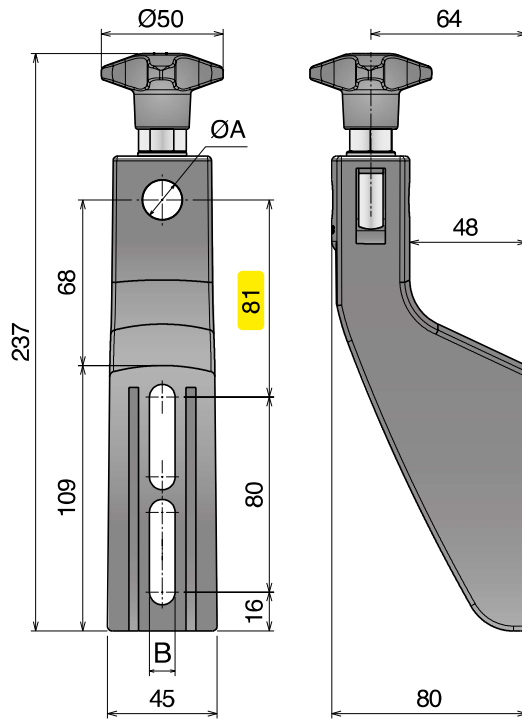
Supporto: PA/Support: PA/Halter: PA

Volantino: PA+ottone nichelato/Knob: PA+nickel plated brass/Sterngriff: PA+ Messing vernickelt

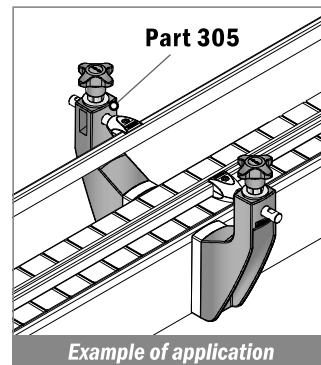
Tirante: Acciaio inox/Eyebolt: Stainless steel/Augenschraube: Edelstahl

## 305 Supporto laterale -medio- Side bracket -medium- / Geländerhalter -medium-

Delivery: **Easy** Standard

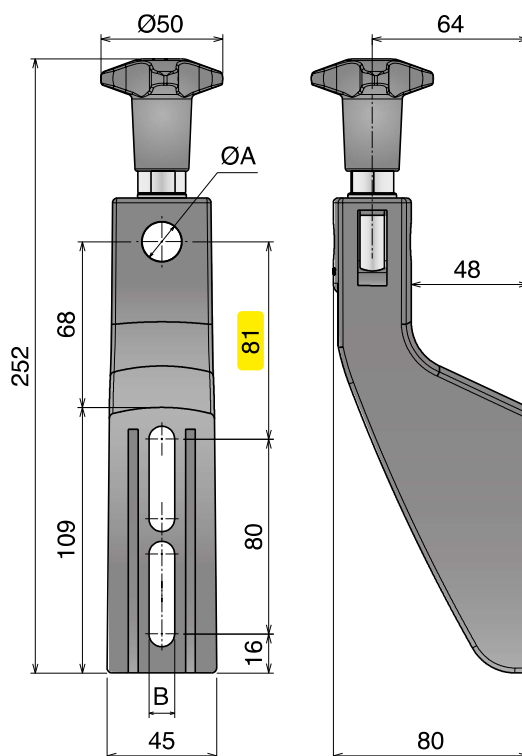


Part	Article-Nr.	$\varnothing A$	B
305	30501	12	9
305	30505	14	9
305	30502	16	9
305	30503	12	10,5
305	30506	14	10,5
305	30504	16	10,5

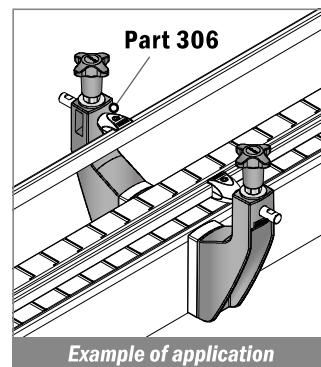


## 306 Supporto laterale -medio- volantino alto Side bracket -medium- high knob / Geländerhalter -medium- hoher Sterngriff

Delivery: **Easy** Standard



Part	Article-Nr.	$\varnothing A$	B
306	30601	12	9
306	30605	14	9
306	30602	16	9
306	30603	12	10,5
306	30606	14	10,5
306	30604	16	10,5



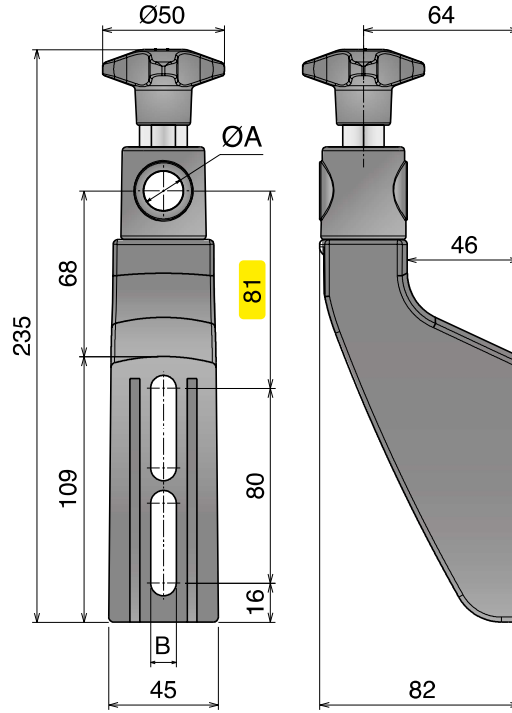
# 307-308

Componenti / Conveyor components / Komponenten

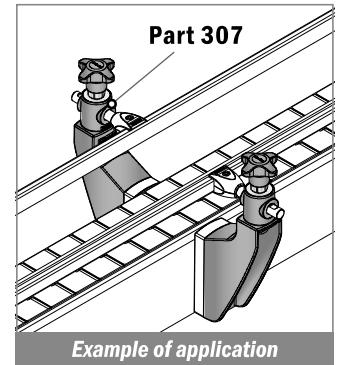
**Materiale / Material / Materialien:** Supporto: PA/Support: PA/Halter: PA  
 Volantino: PA+ottone nichelato/Knob: PA+nickel plated brass/Sterngriff: PA+ Messing vernickelt  
 Tirante: Acciaio inox/Eyebolt: Stainless steel/Augenschraube: Edelstahl  
 Testina: PA o Acciaio inox/Head: PA or stainless steel/Schwenkkopf: PA oder Edelstahl  
 Vite, rondella e dado: Acciaio inox/Screw, washer and nut: Stainless steel/Schraube, Unterlegs und Mutter: Edelstahl

## 307 Supporto laterale -medio- orientabile Side bracket -medium- adjustable / Geländerhalter -medium- einstellbar

Delivery: **Easy** Standard

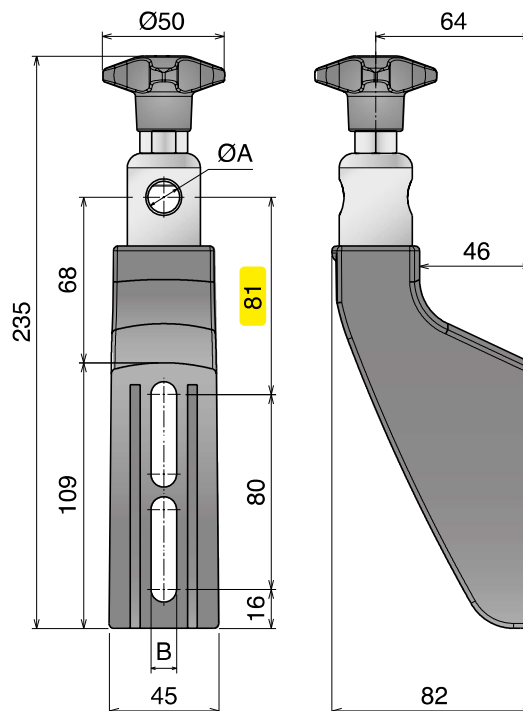


Part	Article-Nr.	ØA	B
307	30701	12	9
307	30705	14	9
307	30702	16	9
307	30703	12	10,5
307	30706	14	10,5
307	30704	16	10,5
307	30709	bracket	9
307	30710	bracket	10,5

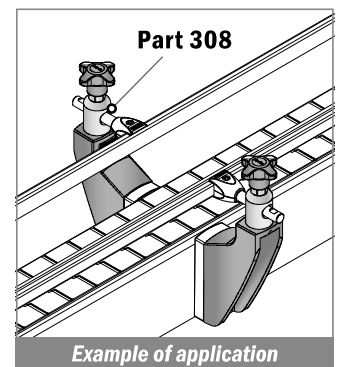


## 308 Supporto laterale -medio- orientabile Acciaio inox Side bracket -medium- adjustable stainless steel / Geländerhalter -medium- einstellbar edelstahl

Delivery: **Easy** Standard



Part	Article-Nr.	ØA	B
308	30801	12	9
308	30805	14	9
308	30802	16	9
308	30803	12	10,5
308	30806	14	10,5
308	30804	16	10,5



**Materiale / Material / Materialien:**

Supporto: PA/Support: PA/Halter: PA

Volantino: PA+ottone nichelato/Knob: PA+nickel plated brass/Sterngriff: PA+ Messing vernickelt

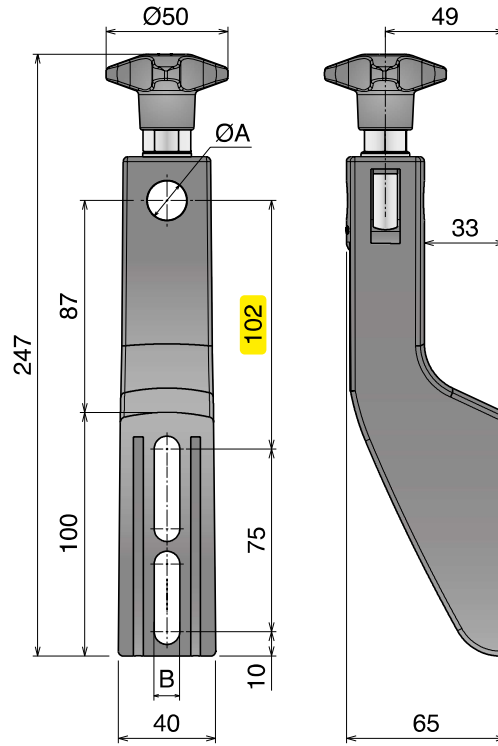
Tirante: Acciaio inox/Eyebolt: Stainless steel/Augenschraube: Edelstahl

# 309-310

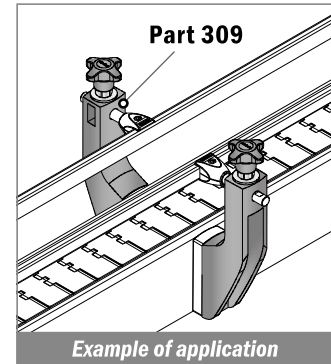
Componenti / Conveyor components / Komponenten

## 309 Supporto laterale -grande- Side bracket -large- / Geländerhalter -groß-

Delivery: **Easy** **Standard**

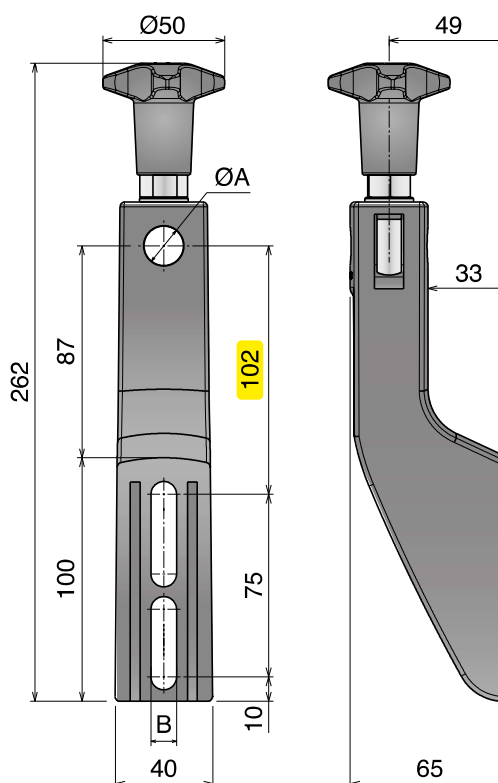


Part	Article-Nr.	ØA	B
309	30901	12	9
309	30905	14	9
309	30902	16	9
309	30903	12	10,5
309	30906	14	10,5
309	30904	16	10,5

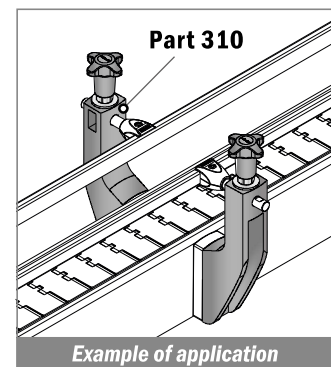


## 310 Supporto laterale -grande- volantino alto Side bracket -large- high knob / Geländerhalter -groß- hoher sterngriff

Delivery: **Easy** **Standard**



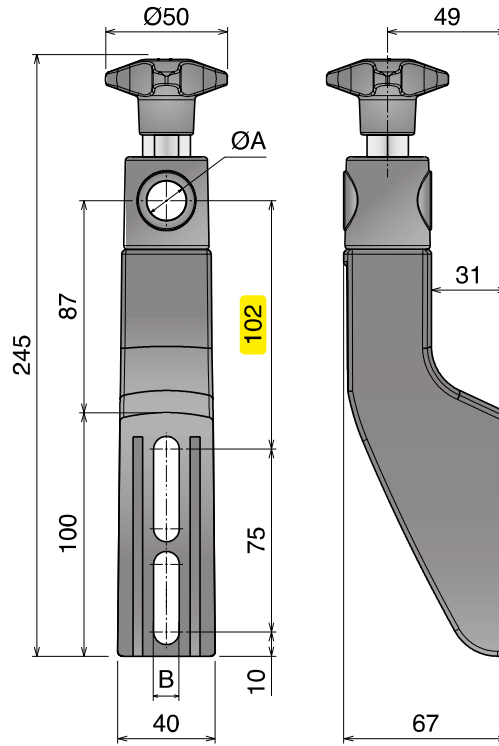
Part	Article-Nr.	ØA	B
310	31001	12	9
310	31005	14	9
310	31002	16	9
310	31003	12	10,5
310	31006	14	10,5
310	31004	16	10,5



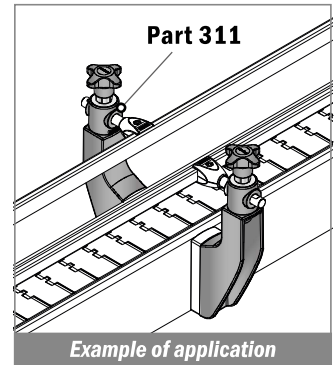
**Materiale / Material / Materialien:** Supporto: PA/Support: PA/Halter: PA  
 Volantino: PA+ottone nichelato/Knob: PA+nickel plated brass/Sterngriff: PA+ Messing vernickelt  
 Tirante: Acciaio inox/Eyebolt: Stainless steel/Augenschraube: Edelstahl  
 Testina: PA o Acciaio inox/Head: PA or stainless steel/Schwenkkopf: PA oder Edelstahl  
 Vite, rondella e dado: Acciaio inox/Screw, washer and nut: Stainless steel/Schraube, Unterlegs und Mutter: Edelstahl

## 311 Supporto laterale -grande- orientabile Side bracket -large- adjustable / Geländerhalter -groß- einstellbar

Delivery: **Easy** **Standard**

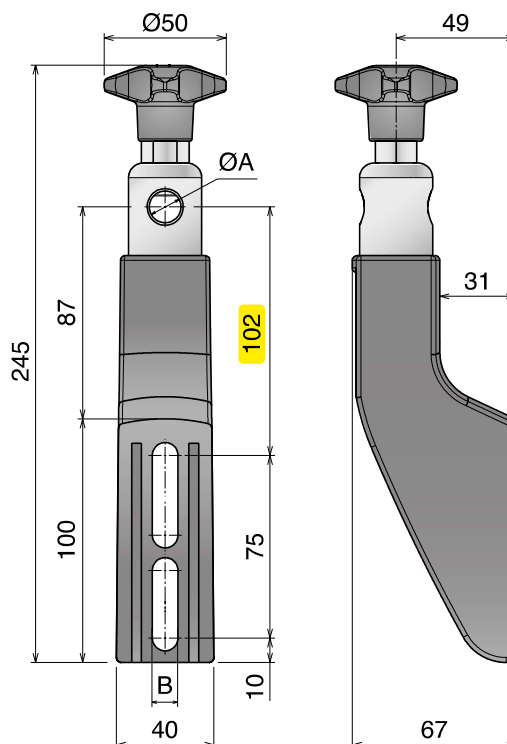


Part	Article-Nr.	ØA	B
311	31101	12	9
311	31105	14	9
311	31102	16	9
311	31103	12	10,5
311	31106	14	10,5
311	31104	16	10,5
311	31109	bracket	9
311	31110	bracket	10,5

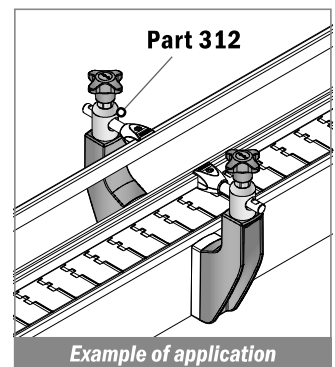


## 312 Supporto laterale -grande- orientabile Acciaio inox Side bracket -large- adjustable stainless steel / Geländerhalter -groß- einstellbar edelstahl

Delivery: **Easy** **Standard**



Part	Article-Nr.	ØA	B
312	31201	12	9
312	31205	14	9
312	31202	16	9
312	31203	12	10,5
312	31206	14	10,5
312	31204	16	10,5



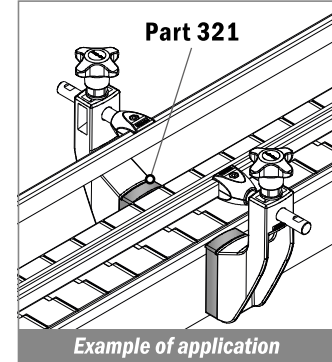
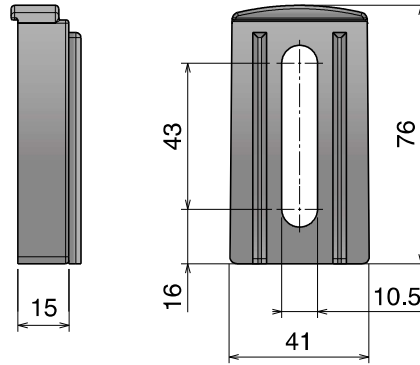


## 321 Distanziale per supporto -piccolo Spacer for bracket -small / Distanzstück für Geländerhalter -klein

NOW ALSO IN HYGIENIC BLUE

Delivery: **Easy** **Standard** Used with bracket Part. 301-302 Pag 450

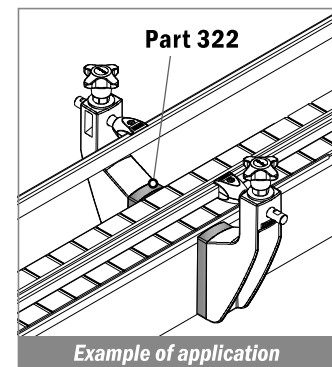
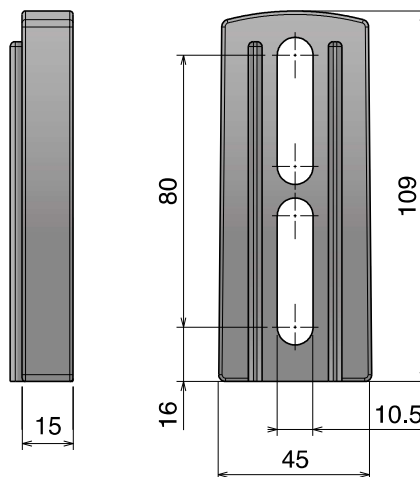
Part	Article-Nr.	Colour
321	32101	Black
321	32151	Hygienic blue



## 322 Distanziale per supporto -medio Spacer for bracket -medium / Distanzstück für Geländerhalter -medium

Delivery: **Easy** **Standard** Used with bracket Part. 305-306-307-308 Pag 451-452

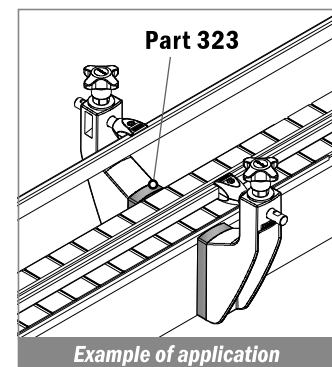
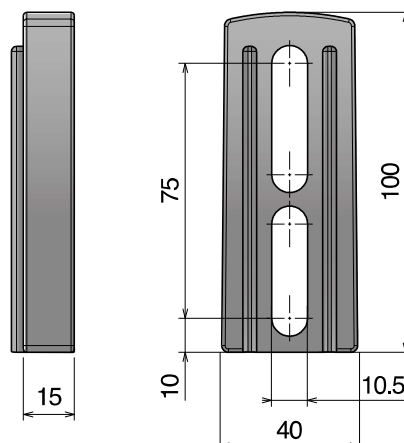
Part	Article-Nr.	Colour
322	32201	Black



## 323 Distanziale per supporto -grande Spacer for bracket -large / Distanzstück für Geländerhalter -groß

Delivery: **Easy** **Standard** Used with bracket Part. 309-310-311-312 Pag 453-454

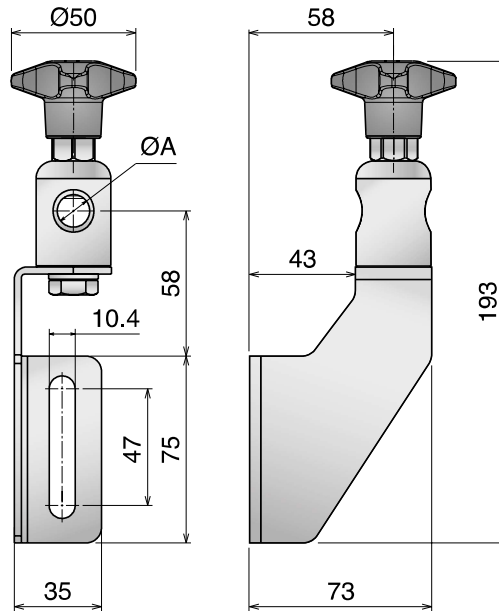
Part	Article-Nr.	Colour
322	32301	Black



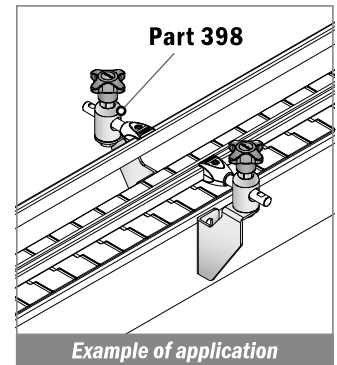
## 398 Supporto laterale inox -medio- orientabile SS bracket -medium- adjustable / Edelstahl Geländerhalter -medium- einstellbar

NOW ALSO IN HYGIENIC BLUE

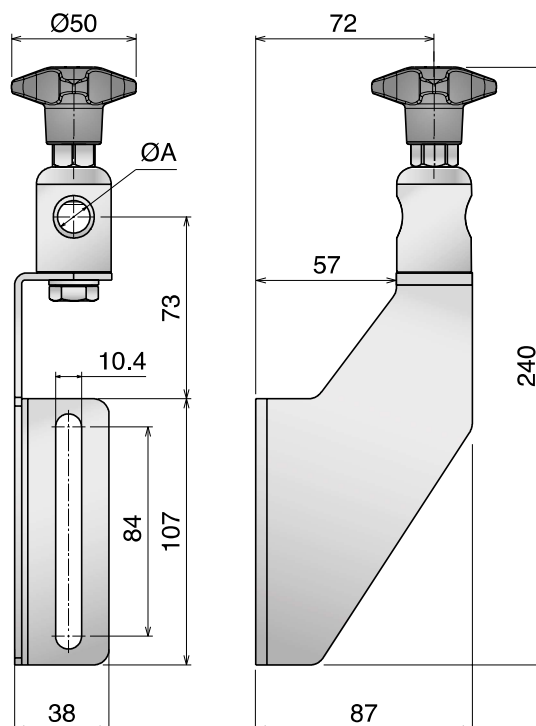
Delivery: **Easy** Standard



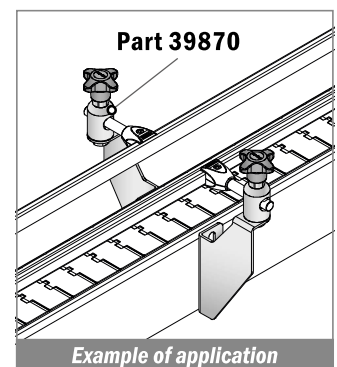
Part	Article-Nr.	ØA	Knob Colour
398	39860	12	Black
398	39862	14	Black
398	39861	16	Black
398	9860HB	12	Hygienic blue
398	9862HB	14	Hygienic blue
398	9861HB	16	Hygienic blue



## Supporto laterale inox -grande- orientabile SS bracket -large- adjustable / Edelstahl Geländerhalter -groß- einstellbar



Part	Article-Nr.	ØA	Knob Colour
398	39870	12	Black
398	39872	14	Black
398	39871	16	Black
398	9870HB	12	Hygienic blue
398	9872HB	14	Hygienic blue
398	9871HB	16	Hygienic blue



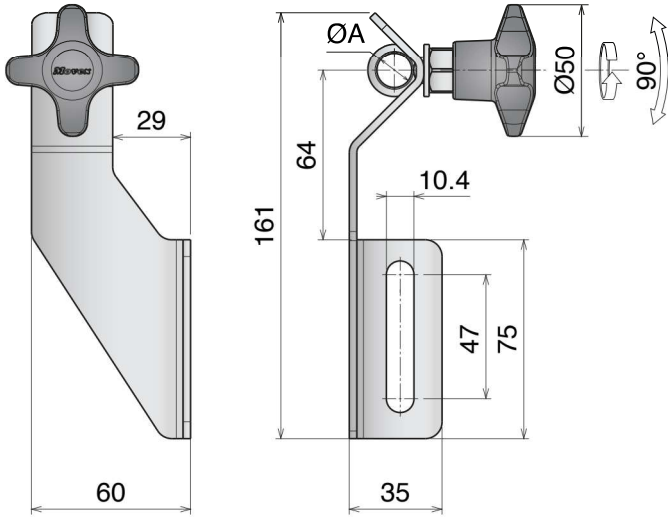
NEW

398

Supporto laterale inox - piccolo  
 SS bracket - small / Edelstahl Geländerhalter - klein

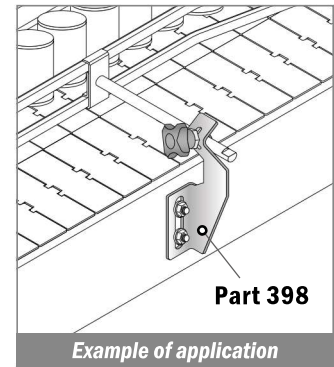
Stainless Steel | AISI 304

Width 60 mm – Height 64 mm



**Advantages:**

- Hygienic design
- Stronger design
- Easy to install
- Corrosion resistant
- High temperature resistant
- Fixing system customizable



**Stainless steel knob**

**Plastic knob**

**Stainless steel nut**



Part	Article-Nr.	ØA
398	39810SK	12-13
398	39811SK	14
398	39812SK	16

Part	Article-Nr.	ØA
398	39810	12-13
398	39811	14
398	39812	16

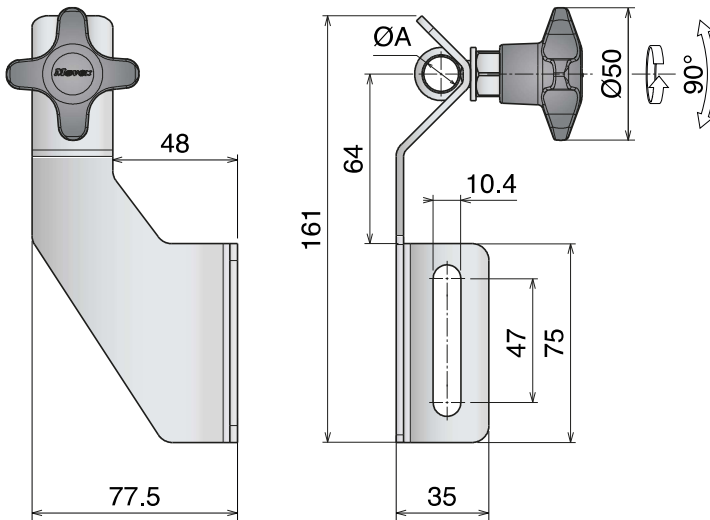
Part	Article-Nr.	ØA
398	39810S	12-13
398	39811S	14
398	39812S	16

## NEW 398

Supporto laterale inox -medio  
 SS bracket -medium / Edelstahl Geländerhalter -medium

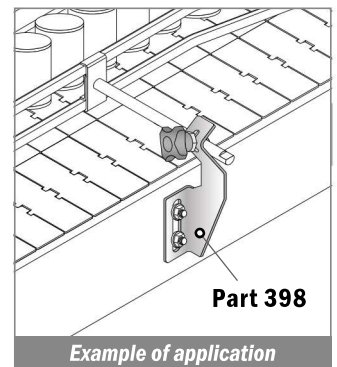
Stainless Steel | AISI 304

Width 77,5 mm - Height 64 mm



### Advantages:

- Hygienic design
- Stronger design
- Easy to install
- Corrosion resistant
- High temperature resistant
- Fixing system customizable



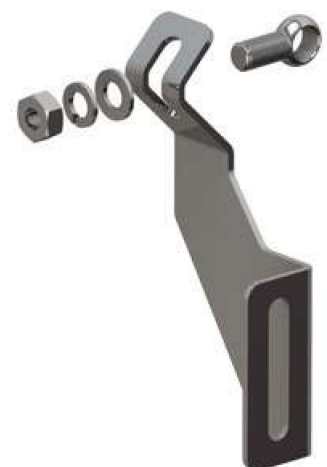
### Stainless steel knob



### Plastic knob



### Stainless steel nut



Part	Article-Nr.	ØA
398	39820SK	12-13
398	39821SK	14
398	39822SK	16

Part	Article-Nr.	ØA
398	39820	12-13
398	39821	14
398	39822	16

Part	Article-Nr.	ØA
398	39820S	12-13
398	39821S	14
398	39822S	16

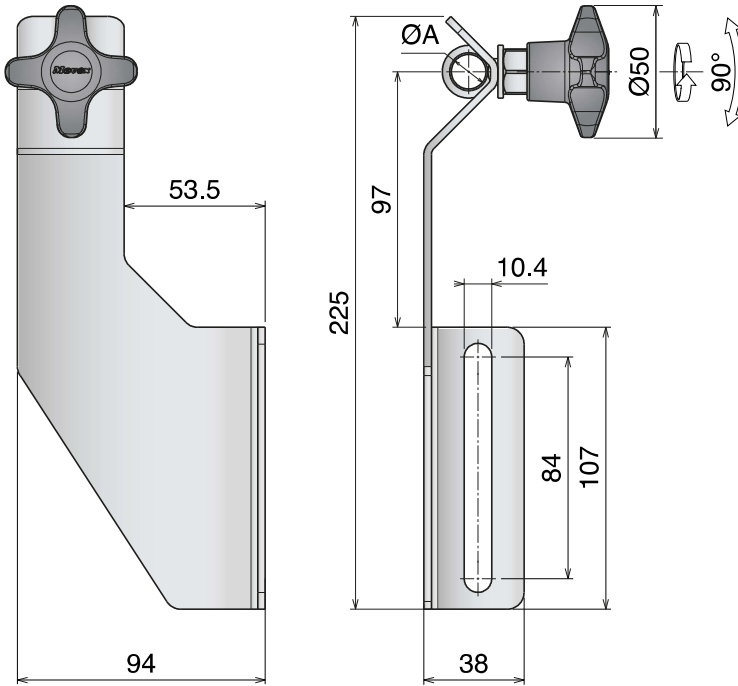
NEW

**398** Supporto laterale inox -grande  
 SS bracket -large / Edelstahl Geländerhalter -groß

Stainless Steel | AISI 304

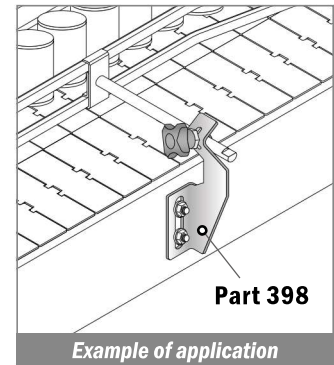
Delivery: **Easy** Standard

Width 94 mm – Height 97 mm



**Advantages:**

- Hygienic design
- Stronger design
- Easy to install
- Corrosion resistant
- High temperature resistant
- Fixing system customizable



**Stainless steel knob**



Part	Article-Nr.	ØA
398	39830SK	12-13
398	39831SK	14
398	39832SK	16

**Plastic knob**



Part	Article-Nr.	ØA
398	39830	12-13
398	39831	14
398	39832	16

**Stainless steel nut**



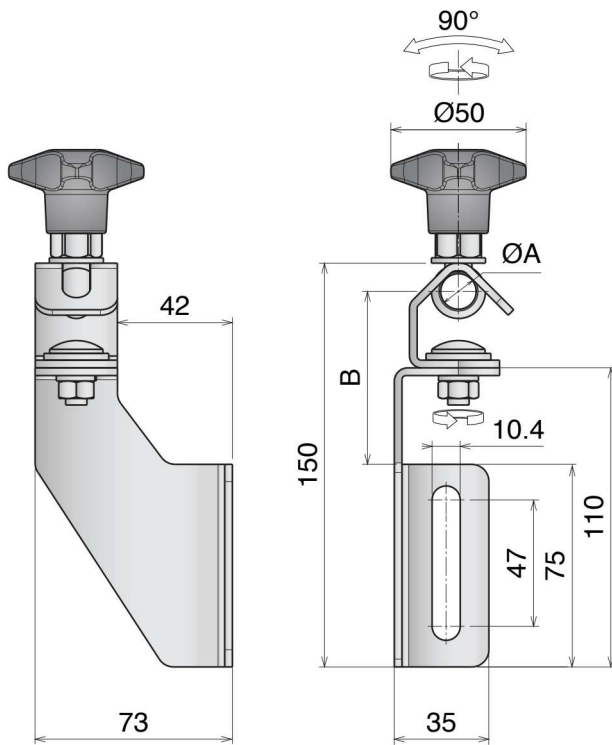
Part	Article-Nr.	ØA
398	39830S	12-13
398	39831S	14
398	39832S	16

## NEW 398

Supporto laterale inox -medio- orientabile  
 SS bracket -medium- adjustable / Edelstahl Geländerhalter -medium- einstellbar

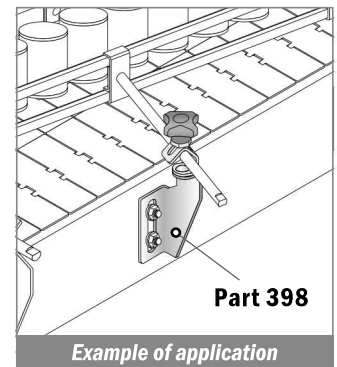
Stainless Steel | AISI 304

Width 73 mm – Height 64 mm



### Advantages:

- Hygienic design
- Stronger design
- Easy to install
- Corrosion resistant
- High temperature resistant
- Fixing system customizable



### Stainless steel knob



Part	Article-Nr.	ØA	B
398	39840SK	12-13	64
398	39841SK	14	62,5
398	39842SK	16	61

### Plastic knob



Part	Article-Nr.	ØA	B
398	39840	12-13	64
398	39841	14	62,5
398	39842	16	61

### Stainless steel nut



Part	Article-Nr.	ØA	B
398	39840S	12-13	64
398	39841S	14	62,5
398	39842S	16	61

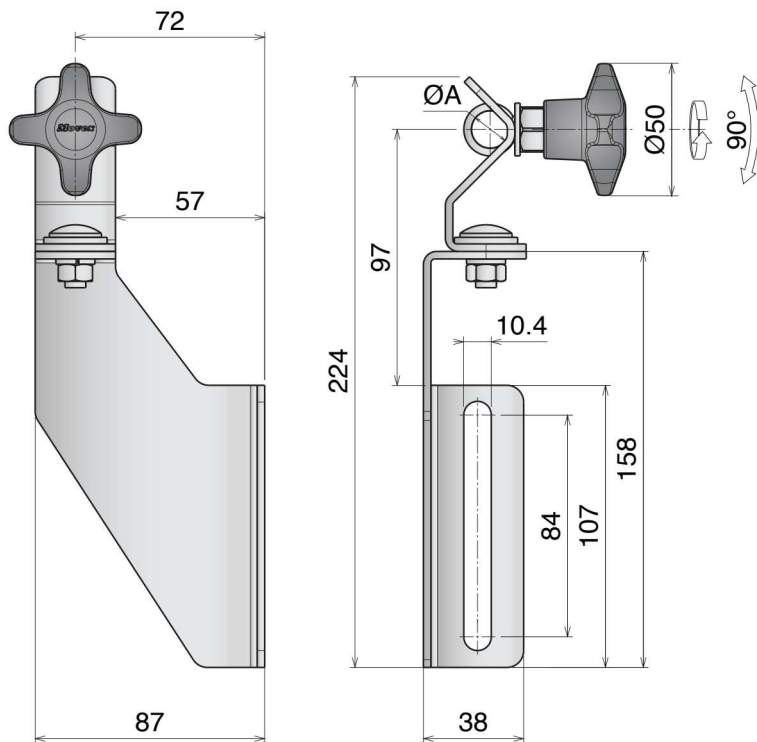
NEW

**398** Supporto laterale inox -grande- orientabile  
 SS bracket -large- adjustable / Edelstahl Geländerhalter -groß- einstellbar

Stainless Steel | AISI 304

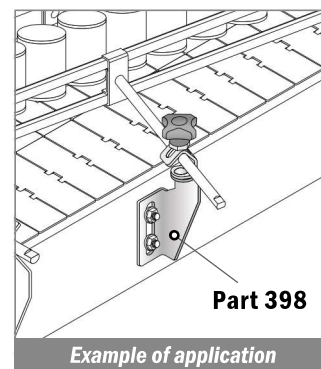
Delivery: **Easy** Standard

Width 87 mm - Height 97 mm



**Advantages:**

- Hygienic design
- Stronger design
- Easy to install
- Corrosion resistant
- High temperature resistant
- Fixing system customizable



**Stainless steel knob**



Part	Article-Nr.	ØA
398	39850SK	12-13
398	39851SK	14
398	39852SK	16

**Plastic knob**



Part	Article-Nr.	ØA
398	39850	12-13
398	39851	14
398	39852	16

**Stainless steel nut**



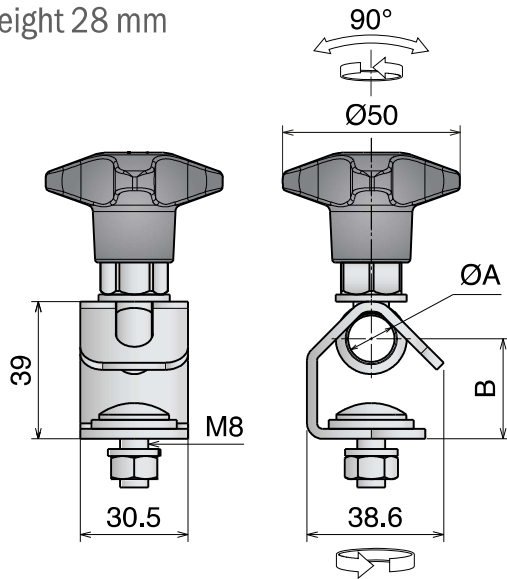
Part	Article-Nr.	ØA
398	39850S	12-13
398	39851S	14
398	39852S	16

## NEW 398

Testina orientabile inox - media  
 Stainless steel adjustable head - medium / Edelstahl Schwenkkopf - medium

Stainless Steel | AISI 304

Height 28 mm



### Advantages:

- Hygienic design
- Stronger design
- Easy to install
- Corrosion resistant
- High temperature resistant
- Fixing system customizable

### Stainless steel knob



### Plastic knob



### Stainless steel nut



Part	Article-Nr.	ØA	B
398	39845SK	12-13	29
398	39846SK	14	27,5
398	39847SK	16	26

Part	Article-Nr.	ØA	B
398	39845	12-13	29
398	39846	14	27,5
398	39847	16	26

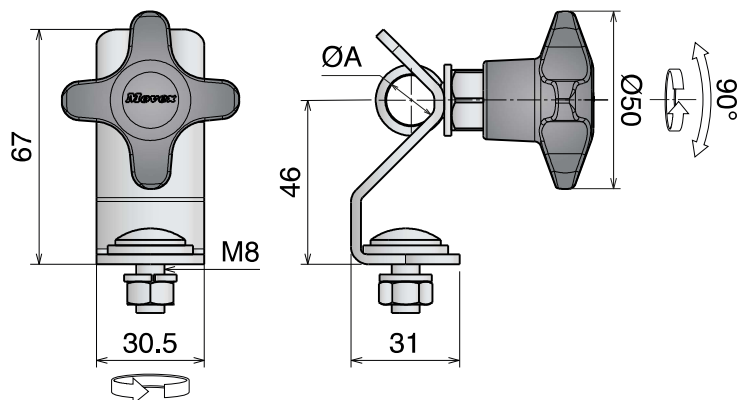
Part	Article-Nr.	ØA	B
398	39845S	12-13	29
398	39846S	14	27,5
398	39847S	16	26



**NEW** **398** Testina orientabile inox -alta  
 Stainless steel adjustable head -large / Edelstahl Schwenkkopf -groß

Stainless Steel | AISI 304

Height 46 mm



**Advantages:**

- Hygienic design
- Stronger design
- Easy to install
- Corrosion resistant
- High temperature resistant
- Fixing system customizable

**Stainless steel knob**



Part	Article-Nr.	ØA
398	39855SK	12-13
398	39856SK	14
398	39857SK	16

**Plastic knob**



Part	Article-Nr.	ØA
398	39855	12-13
398	39856	14
398	39857	16

**Stainless steel nut**



Part	Article-Nr.	ØA
398	39855S	12-13
398	39856S	14
398	39857S	16

# 313-314

Componenti / Conveyor components / Komponenten

## Materiale / Material / Materialien:

Volantino: PA+ottone nichelato / Knob: PA+nickel plated brass / Sterngriff: PA+ Messing vernickelt

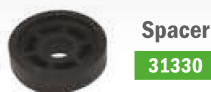
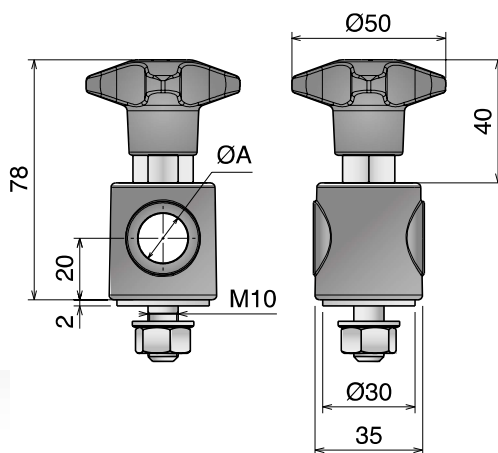
Tirante: Acciaio inox / Eyebolt: Stainless steel / Augenschraube: Edelstahl

Testina: PA o Acciaio inox / Head: PA or stainless steel / Schwenkkopf: PA oder Edelstahl

Vite, rondella e dado: Acciaio inox / Screw, washer and nut: Stainless steel / Schraube, Scheibe und Mutter: Edelstahl

## 313 Testina orientabile Adjustable head / Schwenkkopf

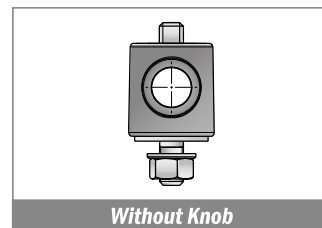
Delivery: **Easy** **Standard**



Spacer  
31330

NOW ALSO IN HYGIENIC BLUE

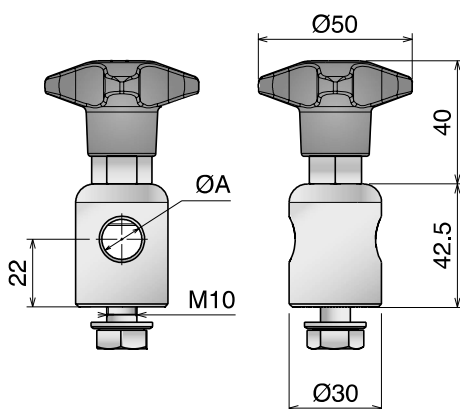
Part	Article-Nr.	ØA	Knob Colour
313	31301	12	Black
313	31303	14	Black
313	31302	16	Black
313	31351	12	Hygienic blue
313	31353	14	Hygienic blue
313	31352	16	Hygienic blue
313	31311	12-without knob	-
313	31313	14-without knob	-
313	31312	16-without knob	-



Without Knob

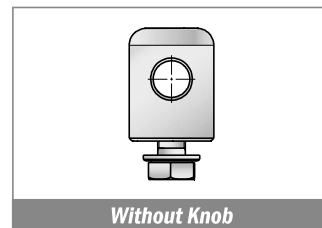
## 314 Testina orientabile, acciaio inox Adjustable head, stainless steel / Schwenkkopf, Edelstahl

Delivery: **Easy** **Standard**



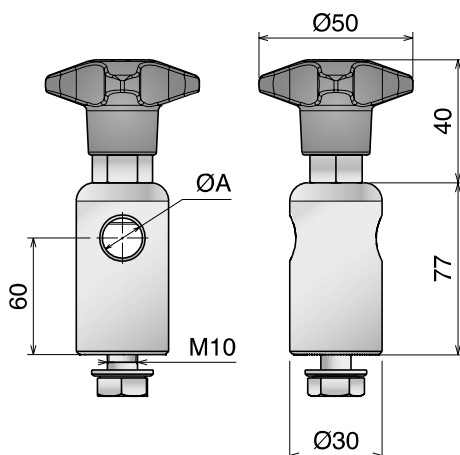
NOW ALSO IN HYGIENIC BLUE

Part	Article-Nr.	ØA	Knob Colour
314	31401	12	Black
314	31403	14	Black
314	31402	16	Black
314	31451	12	Hygienic blue
314	31453	14	Hygienic blue
314	31452	16	Hygienic blue
314	31411	12-without knob	-
314	31413	14-without knob	-
314	31412	16-without knob	-

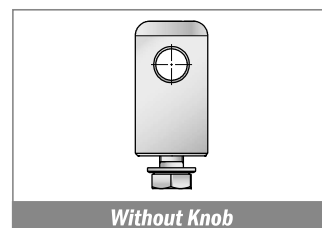


Without Knob

## Testina orientabile alta, acciaio inox Adjustable head, stainless steel / Schwenkkopf, Edelstahl



Part	Article-Nr.	ØA
314	31409	12
314	31414	14
314	31410	16
314	31419	12-without knob
314	31421	14-without knob
314	31420	16-without knob



Without Knob

## 315 Supporto laterale "L" L-bracket / Winkel

Delivery: **Easy** Standard

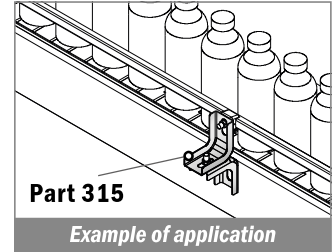
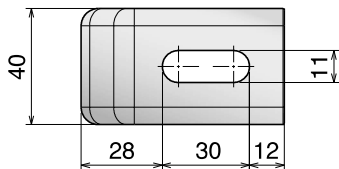
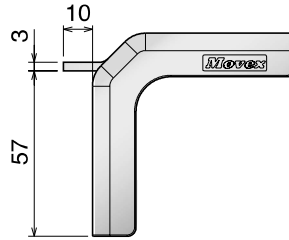
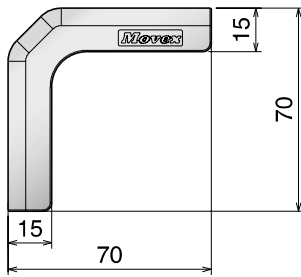
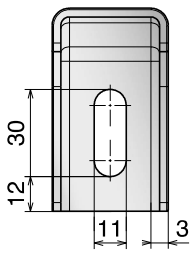
Stainless Steel | AISI 304

Part	Article-Nr.	Type
315	31501	A
315	31502	B



TYPE A - WITHOUT NOSE

TYPE B - WITH NOSE



## 316 Supporto laterale "L" L-bracket / Winkel

Delivery: **Easy** Standard

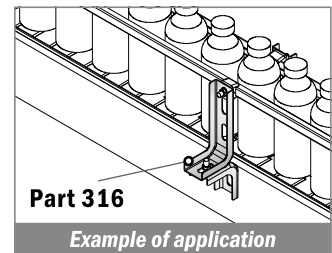
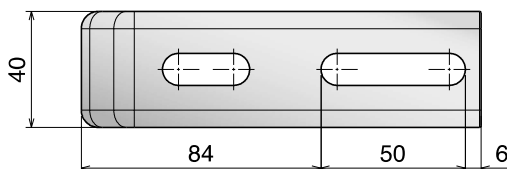
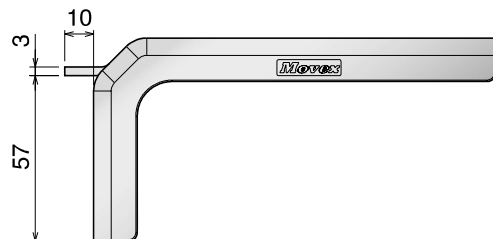
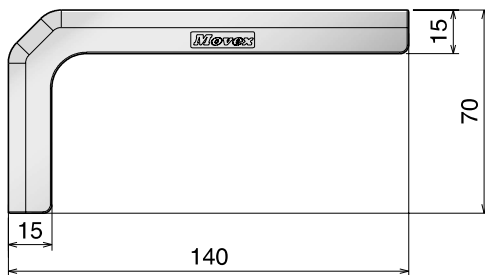
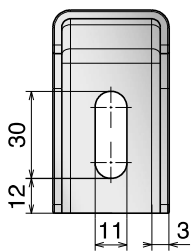
Stainless Steel | AISI 304

Part	Article-Nr.	Type
316	31601	A
316	31602	B



TYPE A - WITHOUT NOSE

TYPE B - WITH NOSE

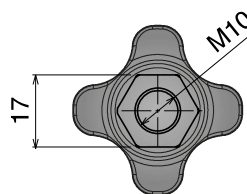
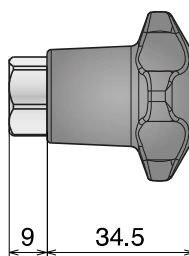
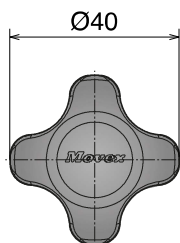
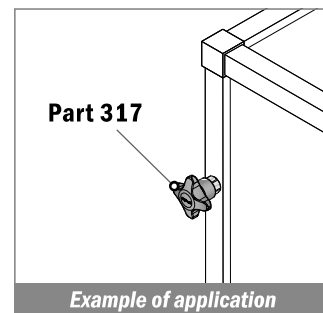
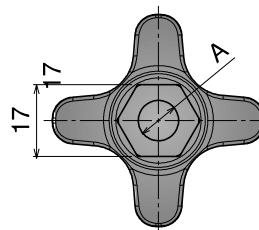
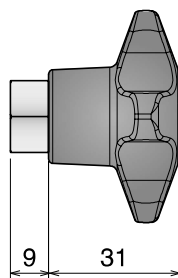
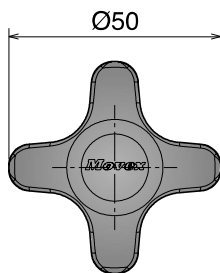


## 317 Volantino Star knob / Sterngriff

**NOW ALSO IN HYGIENIC BLUE**

Delivery: **Easy** **Standard**

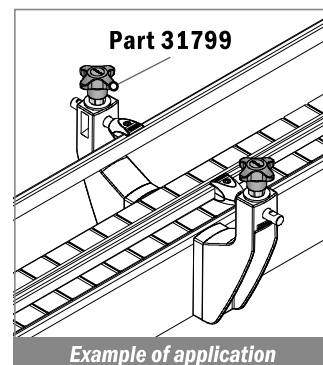
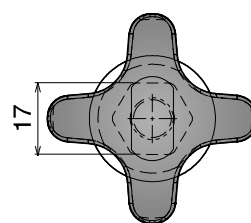
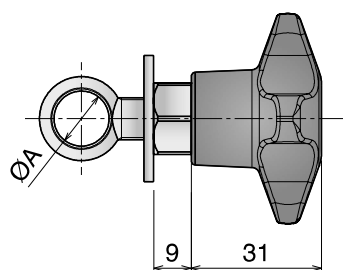
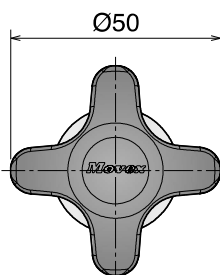
Part	Article-Nr.	A	Ø	Knob Colour
317	31702	M10	40	Black
317	31703	M8	50	Black
317	31701	M10	50	Black
317	31704	M12	50	Black
317	31753	M8	50	Hygienic blue
317	31751	M10	50	Hygienic blue
317	31754	M12	50	Hygienic blue



### Volantino con tirante Star knob with eye-bolt / Sterngriff mit Augenschraube

**NOW ALSO IN HYGIENIC BLUE**

Part	Article-Nr.	ØA	Knob Colour
317	31799	12	Black
317	31797	14	Black
317	31798	16	Black
317	31759	12	Hygienic blue
317	31757	14	Hygienic blue
317	31758	16	Hygienic blue



**Materiale / Material / Materialien:**

Poliamide + ottone nichelato / Acciaio inox / Ottone  
 Polyamide + nickel plated brass / Stainless steel / Brass  
 Polyamid + Messing vernickelt / Edelstahl / Messing

# 318-319-3001

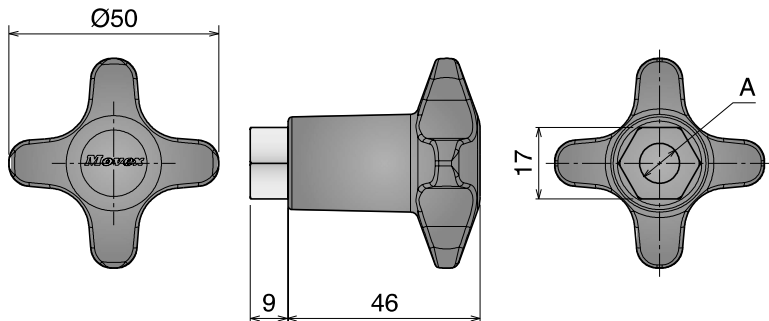
Componenti / Conveyor components / Komponenten

## 318 Volantino Star knob / Sterngriff

**RANGE EXTENSION**

Delivery: **Easy** Standard

Part	Article-Nr.	A
318	31802	M8
318	31801	M10
318	31803	M12

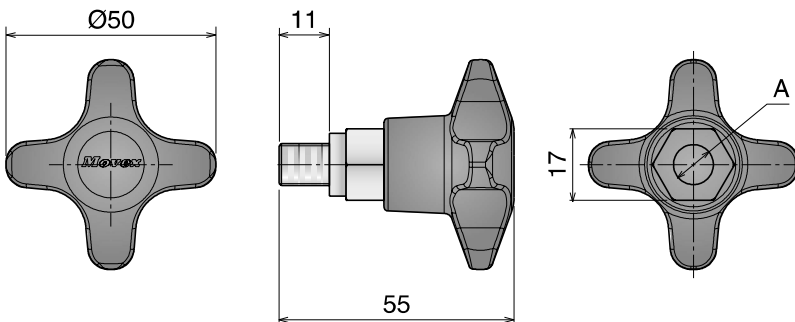


## 319 Volantino Star knob / Sterngriff

**RANGE EXTENSION**

Delivery: **Easy** Standard

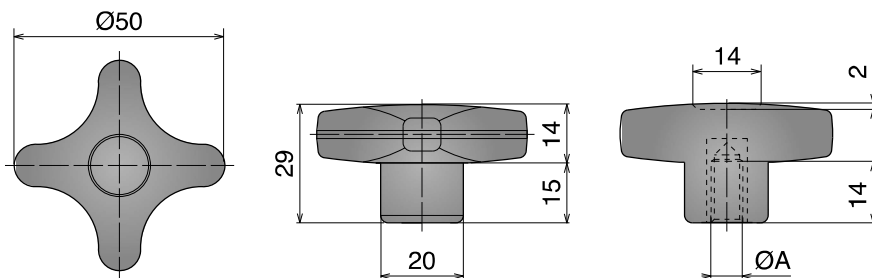
Part	Article-Nr.	A
319	31903	M8
319	31901	M10
319	31904	M12



## 3001 Volantino a croce con boccola filettata Star knob with threaded bush / Sterngriff mit Innengewinde

**RANGE EXTENSION**

Part	Article-Nr.	ØA	Threaded bush
3001	300103	M8	Stainless steel
3001	300101	M10	Stainless steel
3001	300105	M12	Stainless steel
3001	300104	M8	Brass
3001	300102	M10	Brass
3001	300106	M12	Brass



# 317-320-3007

Componenti / Conveyor components / Komponenten

**Materiale / Material / Materialien:**

Part. 317: Acciaio inox / Stainless steel / Edelstahl

Part. 320: Poliammide + ottone nichelato / Polyamide + nickel plated brass / Polyamid + messing vernickelt

Part.3007: Poliammide + ottone / Polyamide + brass / Polyamid + messing

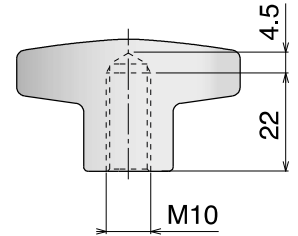
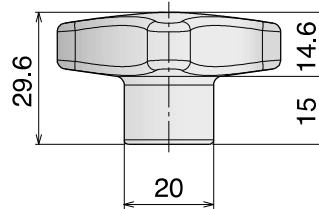
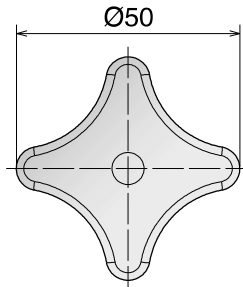
**NEW 317**

**Volantino Acciaio inox**  
Star knob stainless steel / Sterngriff Edelstahl

Stainless Steel | AISI 304

Delivery: **Easy** **Standard**

Part	Article-Nr.	ØA
317	31721	M10

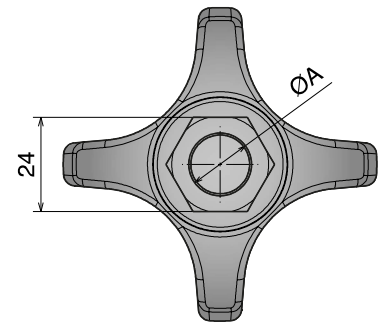
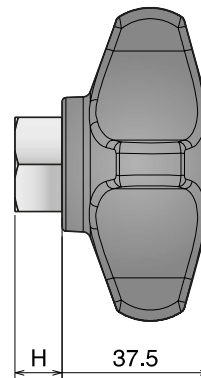
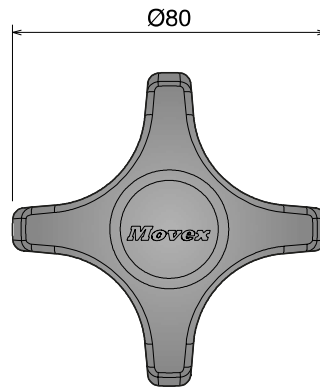


**320**

**Volantino Ø80**  
Star knob Ø80 / Sterngriff Ø80

Delivery: **Easy** **Standard**

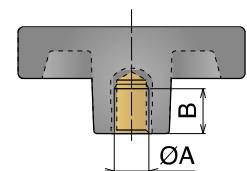
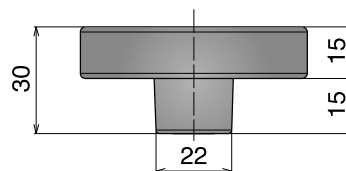
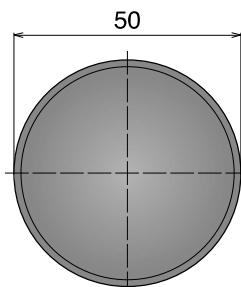
Part	Article-Nr.	ØA	H
320	32001	M12	12
320	32002KN	M16	15



**NEW 3007**

**Impugnatura con boccia filettata**  
Knob with threaded bushing / Drehgriff mit Gewindebuchse

Part	Article-Nr.	ØA	B
3007	300701	M8	15
3007	300702	M10	14
3007	300703	M12	18



**Materiale / Material / Materialien:**

Part. 3008: Poliammide + acciaio zincato / Polyamide + galvanised steel

Polyamid + verzinktem stahl

Part. 3002: Poliammide + ottone / Polyamide + brass / Polyamid + messing

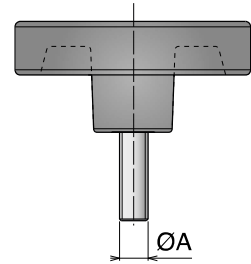
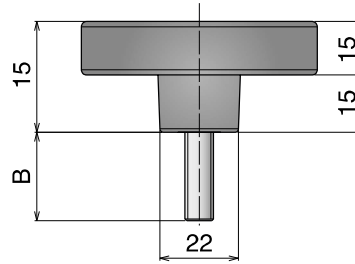
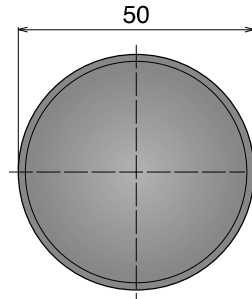
# 3008-3002

Componenti / Conveyor components / Komponenten

NEW

## 3008 Impugnatura con perno filettato Knob with threaded pin / Drehgriffschraube

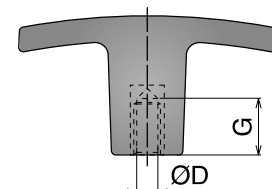
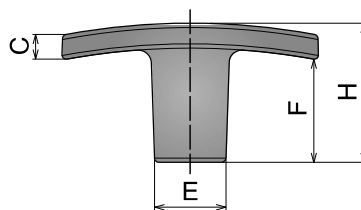
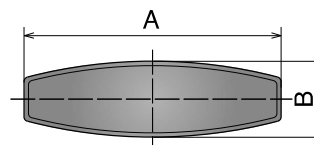
Part	Article-Nr.	ØA	B
3008	300801	M8	25
3008	300802	M10	25
3008	300803	M12	30



## 3002 Tirante con boccola filettata Handle with threaded insert / T-Griff mit Innengewinde

Delivery: **Easy** Standard

Part	Article-Nr.	A	B	C	ØD	E	F	G	H
3002	300201	50	15	5	M6	14	17	10	24
3002	300202	50	15	5	M8	14	17	14	24
3002	300203	60	18	6	M10	16,5	24	21	33



## 324

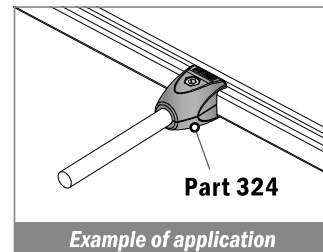
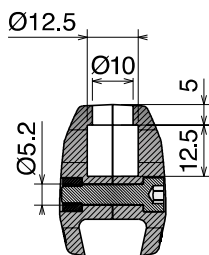
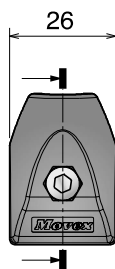
Morsetto singolo per guida laterale conica

Single clamp for conical side guide / Einfachklemme für konische Seitenführung

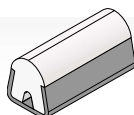
NOW ALSO IN HYGIENIC BLUE

Delivery: **Easy** **Standard** Used with Part 349/350 Pag 478 and Part 356 Pag 481

Part	Article-Nr.	ØA	Colour
324	32401	without pin	Black
324	32451	without pin	Hygienic blue



Used with  
**Guide rail**  
 Pag 348



## 325

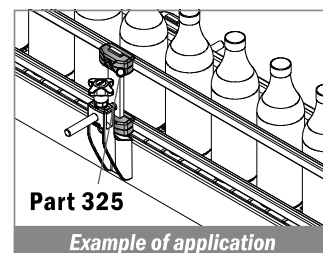
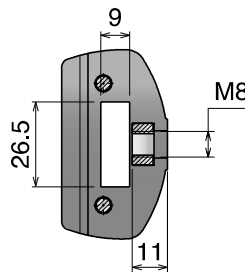
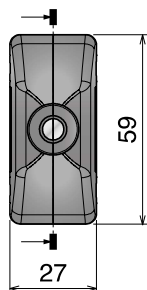
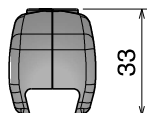
Morsetto singolo per guida laterale conica

Single clamp for conical side guide / Einfachklemme für konische Seitenführung

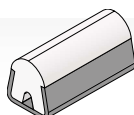
NOW ALSO IN HYGIENIC BLUE

Delivery: **Easy** **Standard**

Part	Article-Nr.	ØA	Colour
325	32501	without pin	Black
325	32551	without pin	Hygienic blue



Used with  
**Guide rail**  
 Pag 348



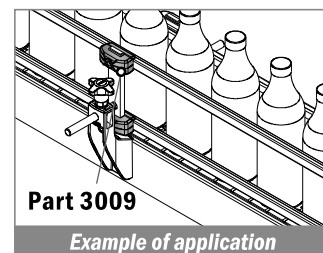
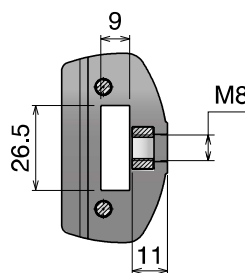
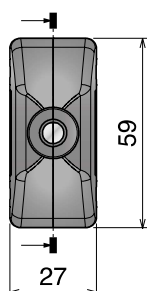
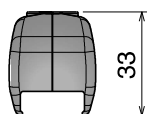
## NEW 3009

Morsetto singolo per guida laterale

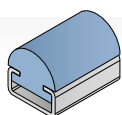
Single clamp for side guide / Einfachklemme für Seitenführung

NOW ALSO IN HYGIENIC BLUE

Part	Article-Nr.	ØA	Colour
3009	300901	without pin	Black
3009	300902	without pin	Hygienic blue



Used with  
**PART 134**  
 Pag 383





**Materiale / Material / Materialien:**

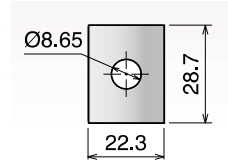
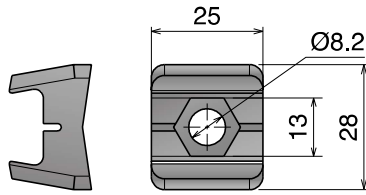
Part. 326: Poliammide/Polyamide/Polyamid  
 Part. 3013: Acciaio inox / Stainless steel / Edelstahl  
 Part. 3010: Acciaio inox / Stainless steel / Edelstahl

## 326 Morsetto singolo per guida laterale conica Single clamp for conical side guide / Einfachklemme für konische Seitenführung

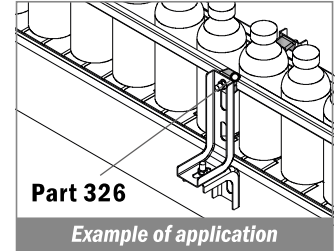
NOW ALSO IN HYGIENIC BLUE

Delivery: **Easy** **Standard**

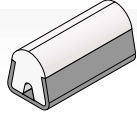
Part	Article-Nr.	Colour
326	32601	Black
326	32651	Hygienic blue



**Reinforced plate** **33201**  
 3 mm thickness



Used with  
**Guide rail**  
 Pag 348

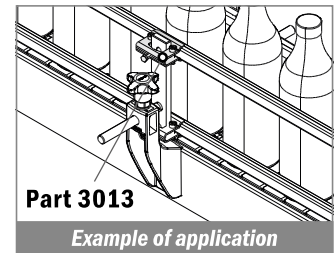
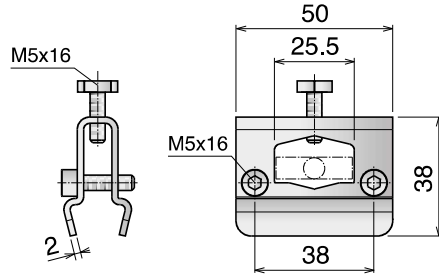


## NEW 3013 Morsetto singolo per guida laterale conica Single clamp for conical side guide / Einfachklemme für konische Seitenführung

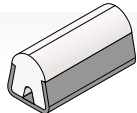
Stainless Steel | AISI 304

Delivery: **Easy** **Standard** Screws supplied not assembled

Part	Article-Nr.	Suitable for
3013	301301	● 12/14/15/16 ■ 25x6/25x8



Used with  
**Guide rail**  
 Pag 348

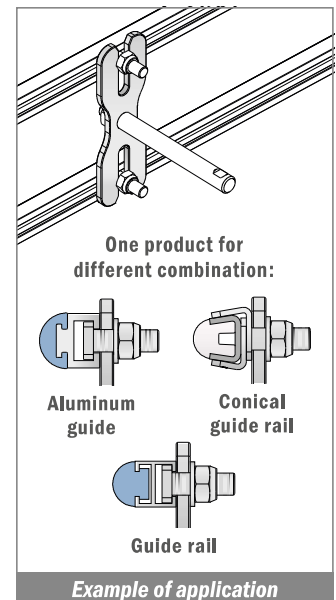
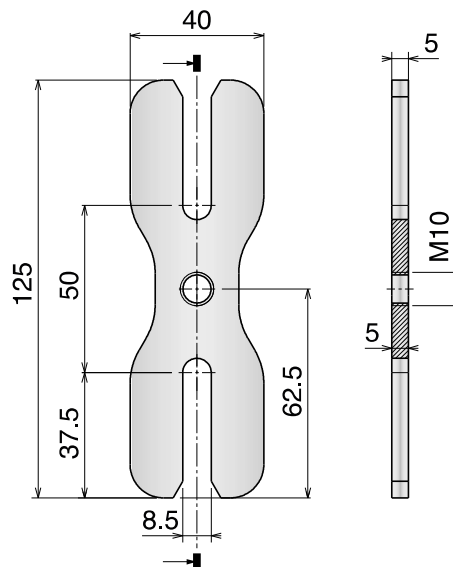


## NEW 3010 Morsetto doppio regolabile Adjustable double clamp / Einstellbare Doppelklemme

Stainless Steel | AISI 304

Delivery: **Easy** **Standard**

Part	Article-Nr.	ØA
3010	301001	without pin



# 327-3012

Componenti / Conveyor components / Komponenten

## Materiale / Material / Materialien:

Morsetto: PA/Clamp: PA/Klemme: PA

Perno e rondella: Acciaio inox/Pin and washer: Stainless steel/Bolzen und Scheibe: Edelstahl

Dado: ottone nichelato/Nut: nickel plate brass/Mutter: Messing vernickelt

## 327

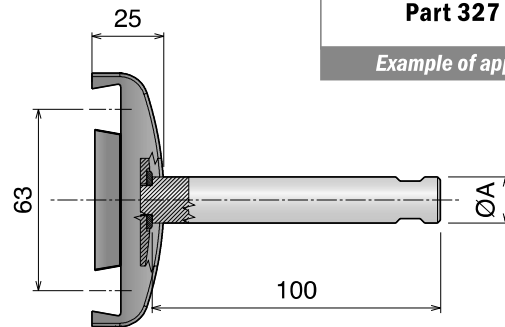
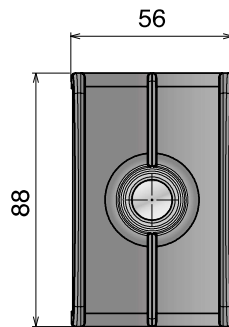
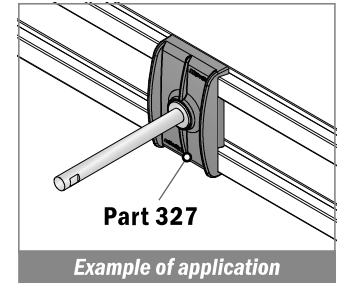
Morsetto doppio per guida laterale conica

Double clamp for conical side guide / Doppelklemme für konische Seitenführung

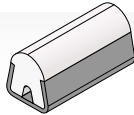
Delivery: **Easy** Standard



Part	Article-Nr.	ØA
327	32701	without pin
327	32702	12
327	32703	16



Used with  
Guide rail  
Pag 348



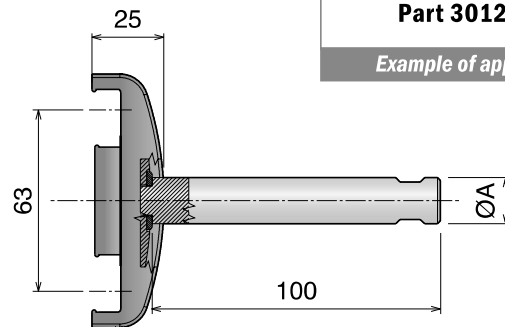
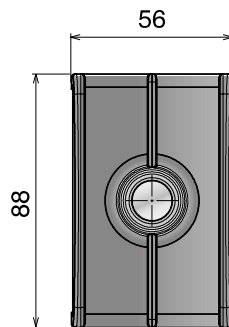
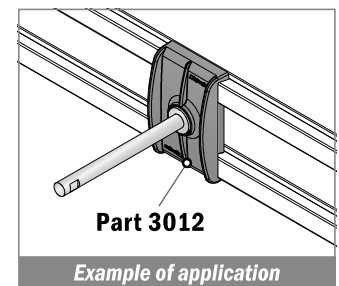
## NEW 3012

Morsetto doppio per guida laterale

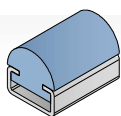
Double clamp for side guide / Doppelklemme für Seitenführung



Part	Article-Nr.	ØA
3012	301201	without pin
3012	301202	12
3012	301203	16



Used with  
PART 134  
Pag 383



• **Materiale / Material / Materialien:** Morsetti: PA/Clamp: PA/Klemme: PA  
 Vite, perno e rondella: Acciaio inox/Screw, pin and washer: Stainless steel  
 Schraube, Bolzen und Scheibe: Edelstahl  
 Dado: ottone nichelato/Nut: nickel plated brass/Mutter: Messing vernickelt

# 337-338-339

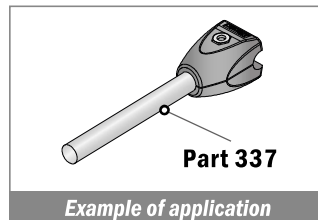
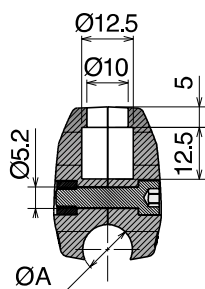
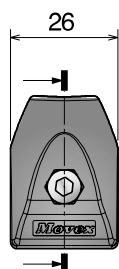
Componenti / Conveyor components / Komponenten

## 337 Morsetto singolo per tondino Single clamp for round bar / Einfachklemme für Rund Profil

NOW ALSO IN HYGIENIC BLUE

Delivery: **Easy** **Standard** Used with Part 349/350 Pag 478 and Part 356 Pag 481

Part	Article-Nr.	ØA	Colour
337	33701	10	Black
337	33702	12	Black
337	33751	10	Hygienic blue
337	33752	12	Hygienic blue

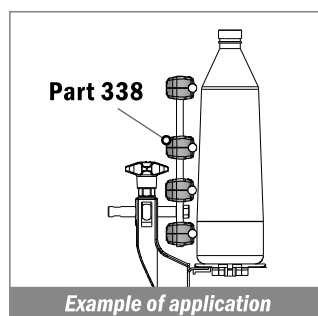
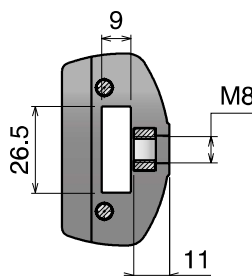
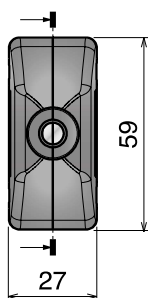
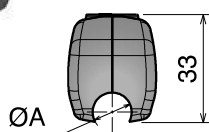


## 338 Morsetto singolo per tondino Single clamp for round bar / Einfachklemme für Rund Profil

NOW ALSO IN HYGIENIC BLUE

Delivery: **Easy** **Standard**

Part	Article-Nr.	ØA	Colour
338	33801	10	Black
338	33802	12	Black
338	33851	10	Hygienic blue
338	33852	12	Hygienic blue

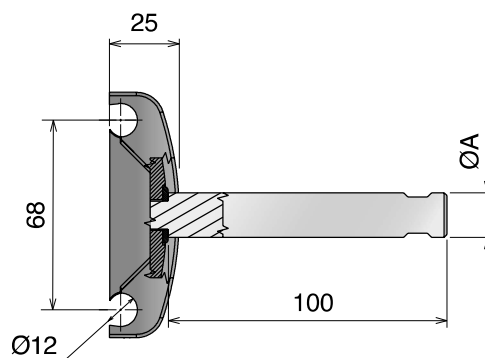
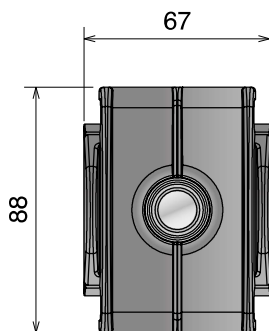
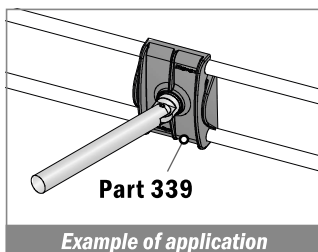


## 339 Morsetto doppio per tondino Double clamp for round bar / Doppelklemme für Rund Profil

NOW ALSO IN HYGIENIC BLUE

Delivery: **Easy** **Standard**

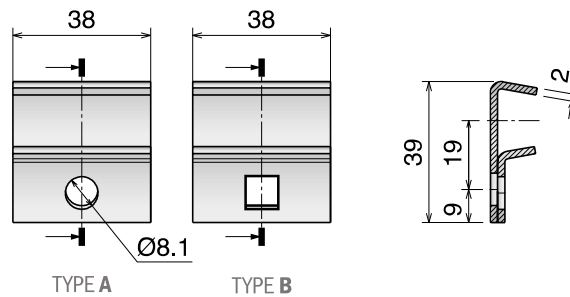
Part	Article-Nr.	ØA	Colour
339	33901	without pin	Black
339	33902	12	Black
339	33904	14	Black
339	33903	16	Black
339	33951	without pin	Hygienic blue
339	33952	12	Hygienic blue
339	33954	14	Hygienic blue
339	33953	16	Hygienic blue



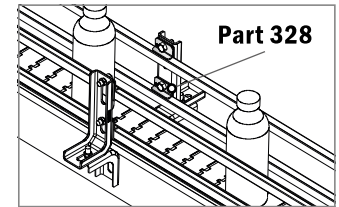
## 328

Morsetto singolo per guida laterale conica  
Single clamp for conical side guide / Einfachklemme für konische Seitenführung

Delivery: **Easy** **Standard** Used with Guide rail Pag 348



Part	Article-Nr.	Material	Type
328	32801	AISI 304	A
328	32802	AISI 304	B
328	32811	AISI 316	A

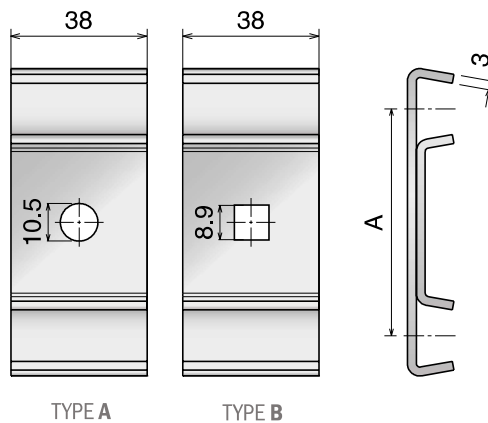


Example of application

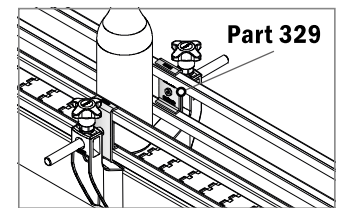
## 329

Morsetto doppio per guida laterale conica  
Double clamp for conical side guide / Doppelklemme für konische Seitenführung

Delivery: **Easy** **Standard** Used with Guide rail Pag 348



Part	Article-Nr.	A	Type
329	32904	50,0	A
329	32901	63,5	A
329	32902	82,55	A
329	32903	95,25	A
329	32911	63,5	B
329	32912	82,55	B
329	32913	95,25	B

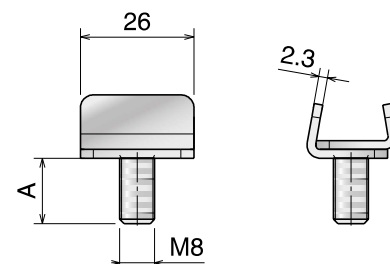


Example of application

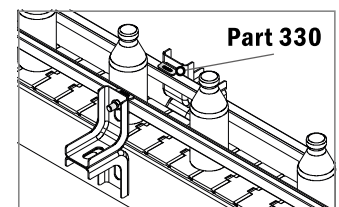
## 330

Morsetto singolo per guida laterale conica  
Single clamp for conical side guide / Einfachklemme für konische Seitenführung

Delivery: **Easy** **Standard** Used with Guide rail Pag 348



Part	Article-Nr.	A
330	33001	15
330	33003	20
330	33002	25
330	33004	30

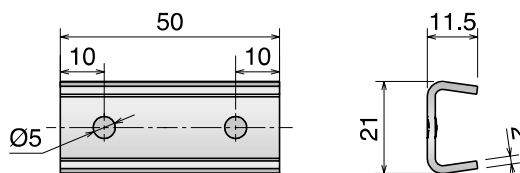


Example of application

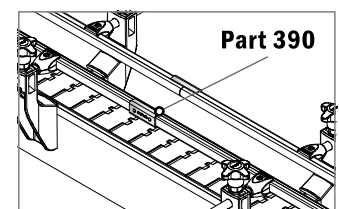
## 390

Elemento di giunzione  
Connecting element / Verbinder

Delivery: **Easy** **Standard** Used with Guide rail Pag 348



Part	Article-Nr.
390	39001



Example of application

• **Materiale / Material / Materialien:** Acciaio inox/Stainless steel/Edelstahl  
 Morsetto: Resina acetica/Clamp: Acetal resin/Klemme: Azetal  
 Vite, perno e dado: Acciaio inox/Screw, pin and nut: Stainless steel  
 Schraube, Bolzen und Mutter: Edelstahl

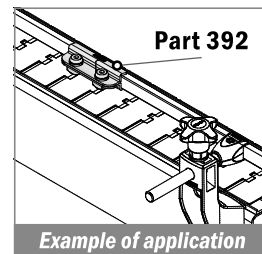
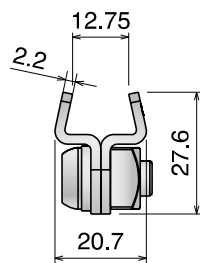
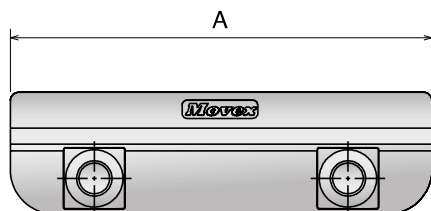
# 392-393-336

Componenti / Conveyor components / Komponenten

## 392 Elemento di connessione Connecting clamp / Verbindungsklemme

Delivery: **Easy** **Standard** Used with Guide rail Pag 348

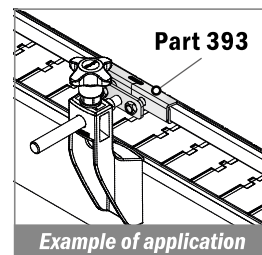
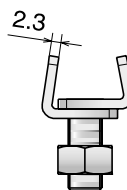
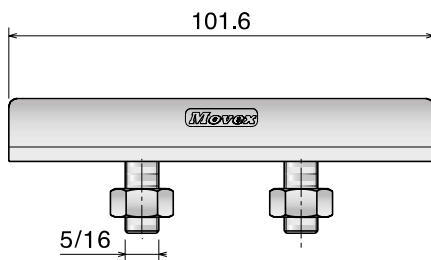
Part	Article-Nr.	A
392	39201	75
392	39202	100
392	39203	150



## 393 Elemento di connessione Connecting clamp / Verbindungsklemme

Delivery: **Easy** **Standard** Used with Guide rail Pag 348

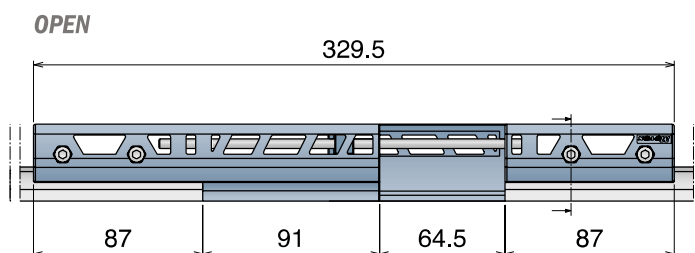
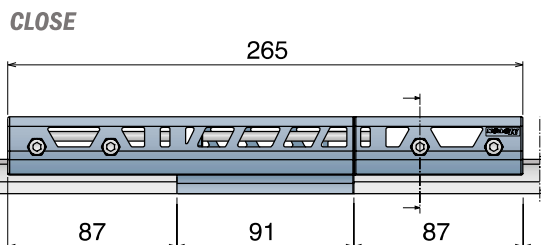
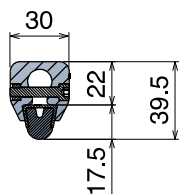
Part	Article-Nr.
393	39302



## 336 Morsetto regolabile guide coniche Adjustable clamp for conical guide / verstellbare Klemme für konische Führungen

Delivery: **Easy** **Standard** Used with Guide rail Pag 348

Part	Article-Nr.
336	33601



# 394-341

Componenti / Conveyor components / Komponenten

• **Materiale / Material / Materialien:** Acciaio inox/Stainless steel/Edelstahl

Morsetto: PA/Clamp: PA/Klemme: PA

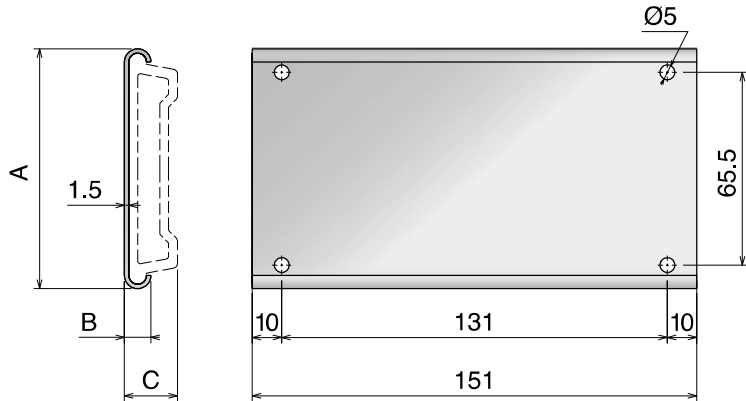
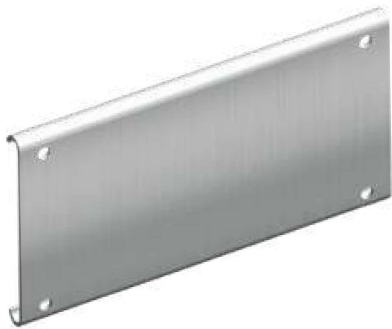
Vite, perno e rondella: Acciaio inox/Screw, pin and washer: Stainless steel/Schraube, Bolzen und Scheibe: Edelstahl

Dado: ottone nichelato/Nut: nickel plated brass/Mutter: Messing vernickelt

## 394 Morsetto di giunzione Joint clamp / Verbindungsplatte

Delivery: **Easy** **Standard** Used with Part 135/136 Pag 400

Part	Article-Nr.	A	B	C
394	39401	81,5	9	18
394	39402	90	8	17



## 341 Morsetto Clamp / Klemme

Delivery: **Easy** **Standard** Versions without pins don't include nuts and washer too

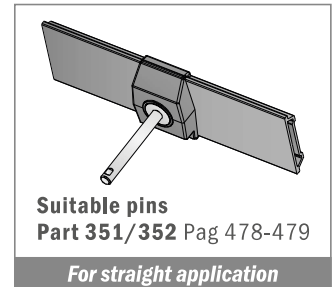
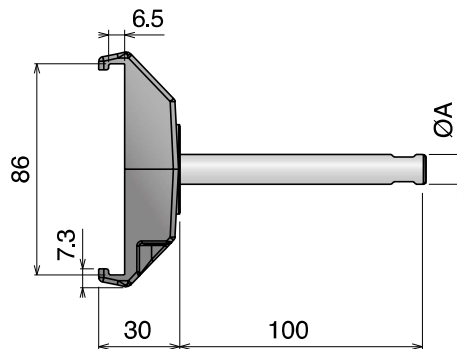
**NOW ALSO IN HYGIENIC BLUE**

Part	Article-Nr.	ØA	Colour
341	34101	without pin	Black
341	34102	12	Black
341	34103	16	Black
341	34151	without pin	Hygienic blue
341	34152	12	Hygienic blue
341	34153	16	Hygienic blue



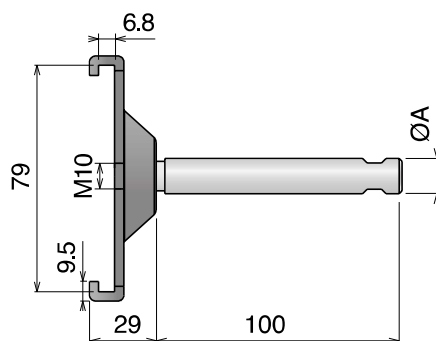
TYPE A

Used with Part 136 Pag 400



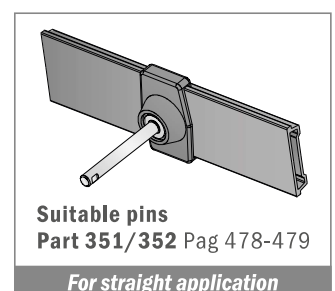
TYPE B

Used with Part 135 Pag 400



**NOW ALSO IN HYGIENIC BLUE**

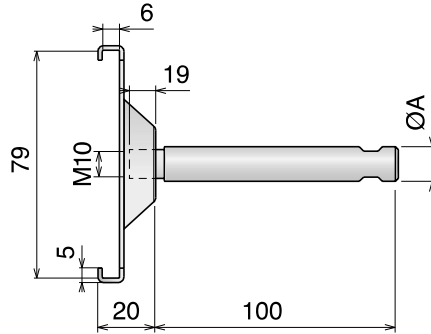
Part	Article-Nr.	ØA	Colour
341	34111	without pin	Black
341	34112	12	Black
341	34113	16	Black
341	34161	without pin	Hygienic blue
341	34162	12	Hygienic blue
341	34163	16	Hygienic blue



**Materiale / Material / Materialien:**  
 Morsetto: Acciaio inox / Clamp: SS / Klemme: Edelstahl  
 Perno: Acciaio inox / Pin: SS / Blozen: Edelstahl

## 3310 Morsetto acciaio inox Clamp, stainless steel / Klemme, Edelstahl

Delivery: **Easy** **Standard** Used with Part 135 Pag 400 - Suitable pins Part 351/352 Pag 478-479

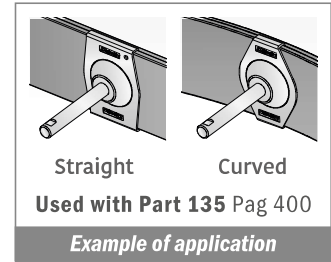


For straight application

Part	Article-Nr.	ØA
3310	33101	without pin
3310	33102	12
3310	33103	16

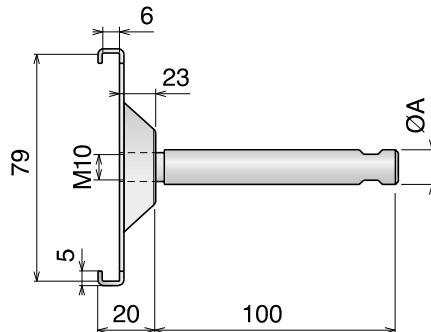
For curved application

Part	Article-Nr.	ØA
3310	33105	without pin
3310	33106	12
3310	33107	16



## 3311 Morsetto acciaio inox Clamp, stainless steel / Klemme, Edelstahl

Delivery: **Easy** **Standard** Suitable pins Part 3004/3005 Pag 479

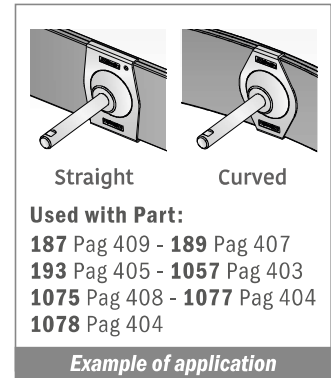


For straight application

Part	Article-Nr.	ØA
3311	33112	12
3311	33113	16

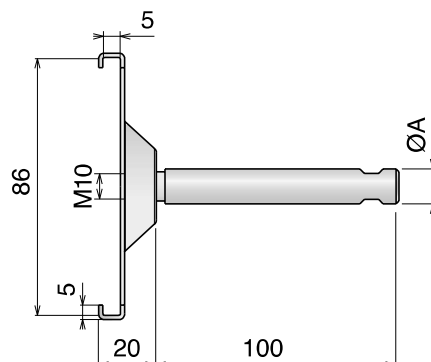
For curved application

Part	Article-Nr.	ØA
3311	33116	12
3311	33117	16

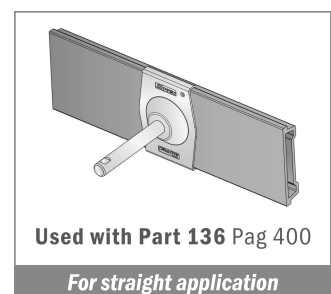


## 345 Morsetto acciaio inox Clamp, stainless steel / Klemme, Edelstahl

Delivery: **Easy** **Standard** Suitable pins Part 351/352 Pag 478-479

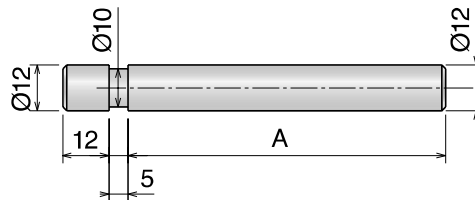


Part	Article-Nr.	ØA
345	34501	without pin
345	34502	12
345	34503	16

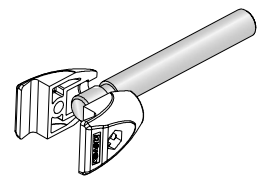


## 349 Perno Rod / Bolzen

Delivery: **Easy** **Standard**



Part	Article-Nr.	A
349	34901	80
349	34902	100
349	34903	150

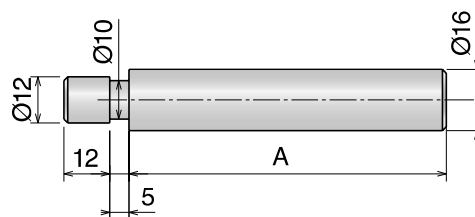


Used with Part:  
324 Pag 470 - 337 Pag 473

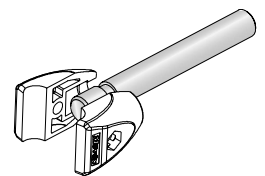
Example of application

## 350 Perno Rod / Bolzen

Delivery: **Easy** **Standard**



Part	Article-Nr.	A
350	35001	80
350	35002	100
350	35003	150

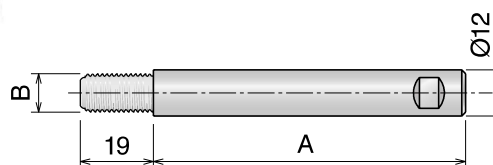


Used with Part:  
324 Pag 470 - 337 Pag 473

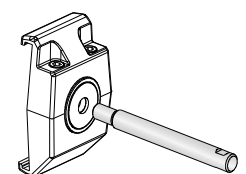
Example of application

## 351 Perno Rod / Bolzen

Delivery: **Easy** **Standard**



Part	Article-Nr.	A	B
351	35101	80	M10
351	35102	100	M10
351	35103	150	M10
351	35151	80	M8
351	35152	100	M8
351	35153	150	M8



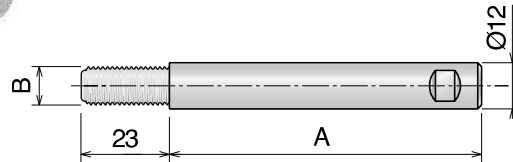
Used with Part:  
341 Pag 476 - 345 Pag 477  
3310 Pag 477

Example of application



**NEW** **3004** Perno  
Rod / Bolzen

Delivery: **Easy** **Standard**

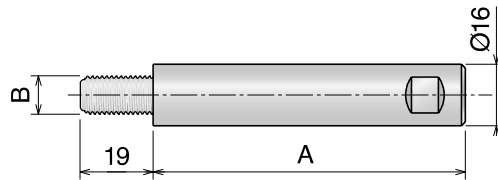


Part	Article-Nr.	A	B
3004	300401	80	M10
3004	300402	100	M10
3004	300403	150	M10
3004	300451	80	M8
3004	300452	100	M8
3004	300453	150	M8

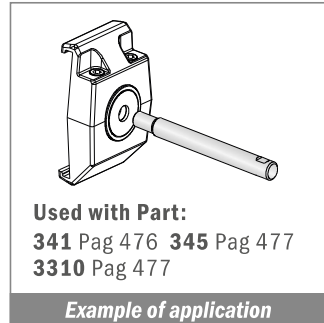


**352** Perno  
Rod / Bolzen

Delivery: **Easy** **Standard**

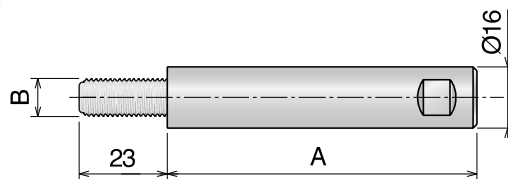


Part	Article-Nr.	A	B
352	35201	80	M10
352	35202	100	M10
352	35203	150	M10
352	35251	80	M8
352	35252	100	M8
352	35253	150	M8



**NEW** **3005** Perno  
Rod / Bolzen

Delivery: **Easy** **Standard**

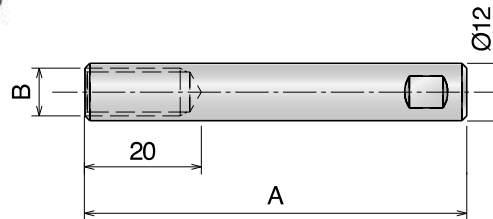


Part	Article-Nr.	A	B
3005	300501	80	M10
3005	300502	100	M10
3005	300503	150	M10
3005	300551	80	M8
3005	300552	100	M8
3005	300553	150	M8

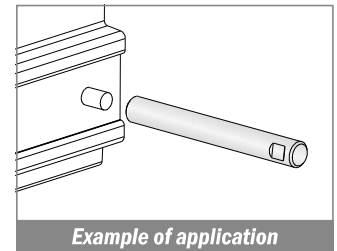


## 347 Perno filettato femmina Rod / Bolzen

Delivery: **Easy** **Standard**

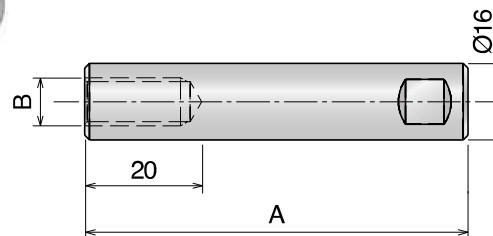


Part	Article-Nr.	A	B
347	34701	80	M10
347	34702	100	M10
347	34703	150	M10
347	34751	80	M8
347	34752	100	M8
347	34753	150	M8

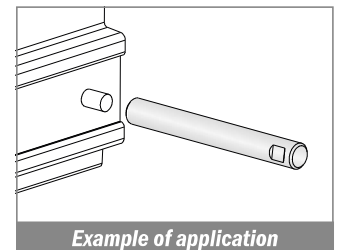


## 348 Perno filettato femmina Rod / Bolzen

Delivery: **Easy** **Standard**

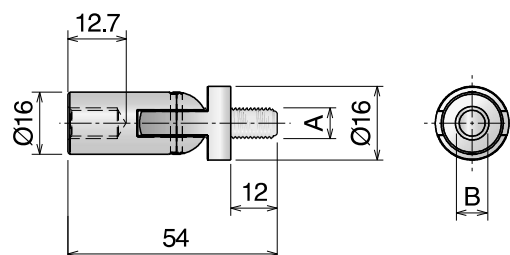


Part	Article-Nr.	A	B
348	34801	80	M10
348	34802	100	M10
348	34803	150	M10
348	34851	80	M8
348	34852	100	M8
348	34853	150	M8

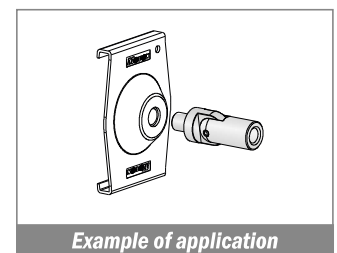


## 346 Snodo Joint rod adapter / Gelenk

Delivery: **Easy** **Standard**

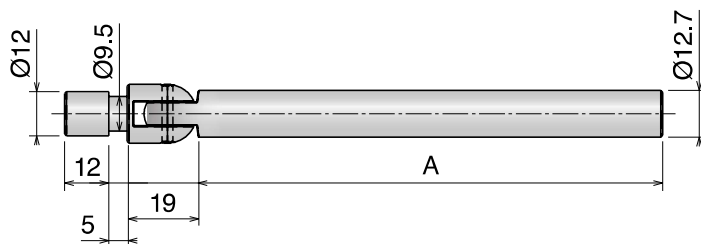


Part	Article-Nr.	A	B
346	34699	M8	M8
346	34602	M8	M10
346	34603	M10	M10

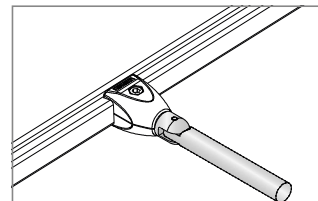


## 356 Perno snodato Jointed rods / Gelenkbolzen

Delivery: **Easy** **Standard**



Part	Article-Nr.	A
356	35601	80
356	35602	100
356	35603	150

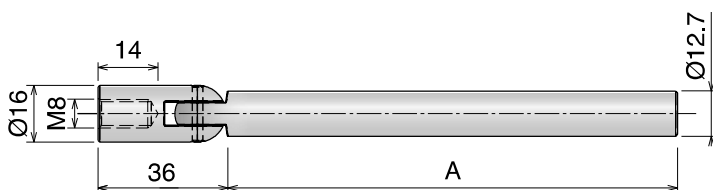


Used with Part:  
 324 Pag 470  
 337 Pag 473

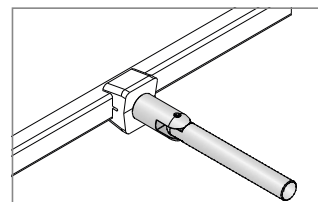
Example of application

## 357 Perno snodato Jointed rods / Gelenkbolzen

Delivery: **Easy** **Standard**



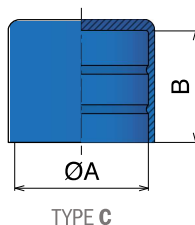
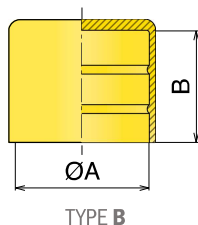
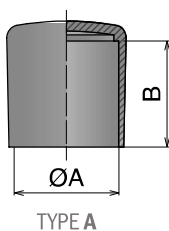
Part	Article-Nr.	A
357	35701	80
357	35702	100
357	35703	150



Example of application

## NEW 3011 Cappucci terminali End caps / Abdeckstopfen

Delivery: **Easy** **Standard**



Part	Article-Nr.	ØA	B	Colour	Type
3011	301101A	Ø12	12,3	Black	A
3011	301102A	Ø14	12,8	Black	A
3011	301103A	Ø16	16,4	Black	A
3011	301104A	Ø20	20,1	Black	A
3011	301101B	Ø12	20	Yellow	B
3011	301102B	Ø14	20	Yellow	B
3011	301103B	Ø16	20	Yellow	B
3011	301104B	Ø20	20	Yellow	B
3011	301101C	Ø12	20	Hygienic blue	C
3011	301102C	Ø14	20	Hygienic blue	C
3011	301103C	Ø16	20	Hygienic blue	C
3011	301104C	Ø20	20	Hygienic blue	C

**Materiale / Material / Materialien:**  
 Polietilene HMW-PE / Polyethylene HMW-PE / Polyethylen HMW-PE  
 Rulli: resina acetatica o gomma SEBS / Rollers: Acetal Resin or SEBS rubber / Röllchen: Azetal oder SEBS gummi

## 335 Guide a rulli laterale Roller guides / Röllchenführung

**PATENTED**

Max fixing load M8 screw: 15 N/m | Minimum internal and external radius: R305



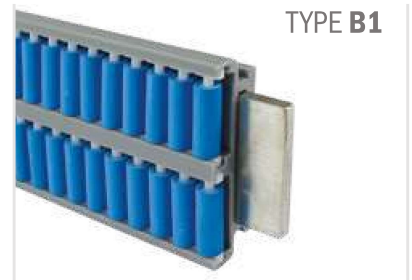
TYPE A

Part	Article-Nr.	Type
335	33502	A



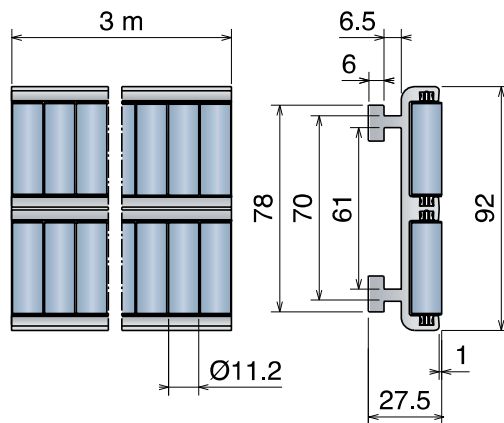
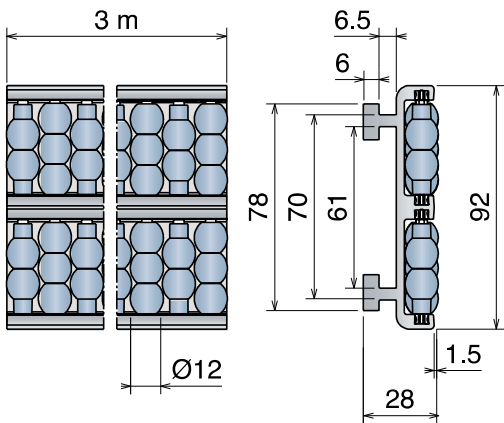
TYPE B

Part	Article-Nr.	Type
335	33504	B



TYPE B1

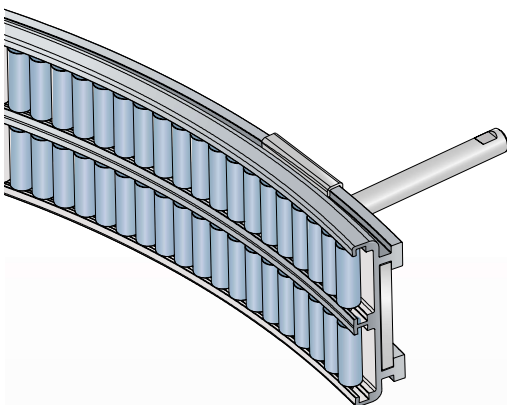
Part	Article-Nr.	Type
335	33506	B1



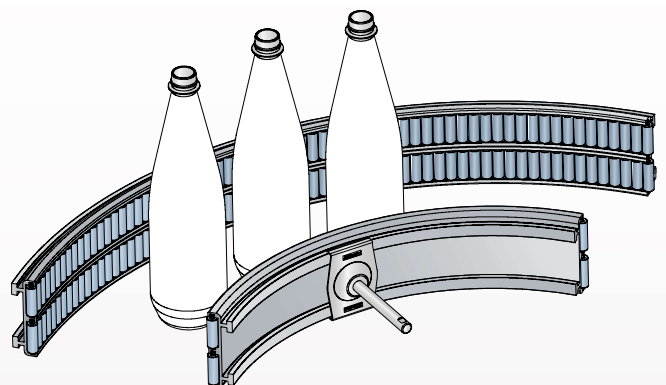
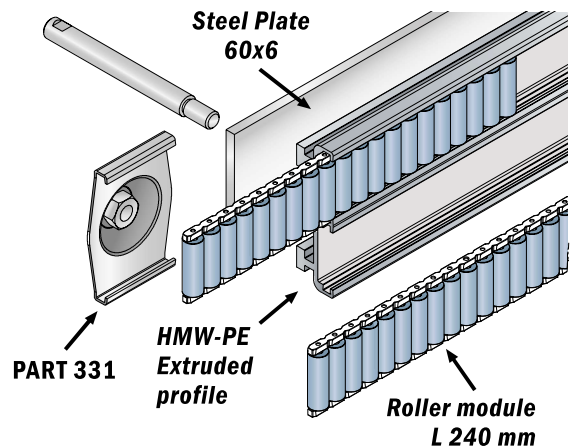
TYPE B1  
 Soft roller  
 SEBS rubber

### Advantages:

- ▶ Noise reduction
- ▶ Improved product stability



Available rollers  
 for bending  
 machine



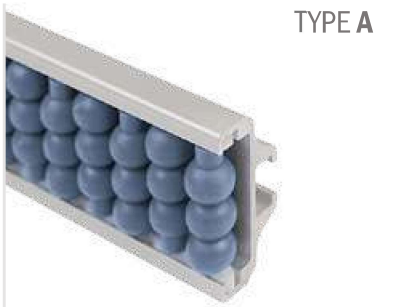
**Materiale / Material / Materialien:**

Guida: alluminio anodizzato/Guide: anodized aluminum/Führung: eloxiertem Aluminium  
 Rulli: resina acetica o gomma SEBS/Rollers: Acetal Resin or SEBS rubber/Röllchen: Azetal oder SEBS gummi  
 Vite: Acciaio inox/Screw: Stainless steel/Schrauben: Edelstahl

# 358

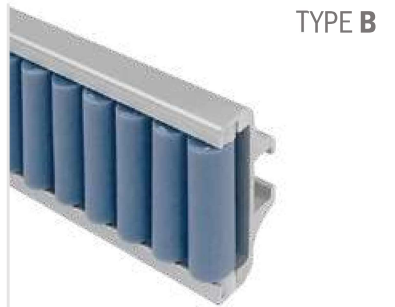
## Guide a rulli laterale Roller guides / Röllchenführung

Delivery: **Easy** **Standard** Max fixing load M8 screw: 15 N/m



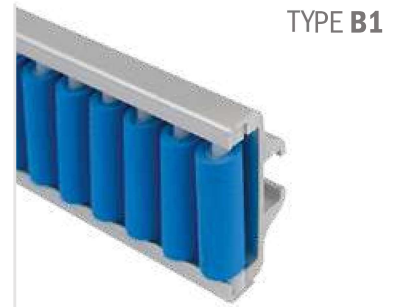
TYPE A

Part	Article-Nr.	Type
358	35802	A



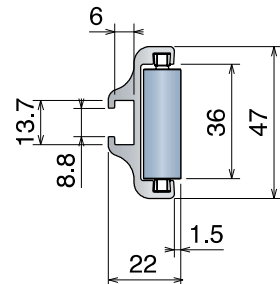
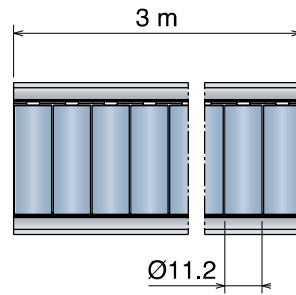
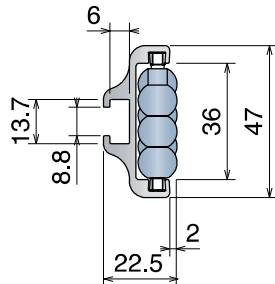
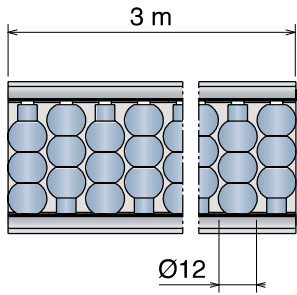
TYPE B

Part	Article-Nr.	Type
358	35804	B



TYPE B1

Part	Article-Nr.	Type
358	35806	B1



**TYPE B1**  
Soft roller  
SEBS rubber

**Roller**  
Pag 425



Fixing screw:  
M8 hex.head  
or **PART 362**  
Pag 493



## Puntale / Shoe / Einlaufschuh



Part	Article-Nr.	Type
364	36401	fresato/machined/gefräst

**Discover more options:**  
Pag 489/490

**Materiale / Material / Materialien:**

Guida: alluminio anodizzato / Guide: anodized aluminum / Führung: eloxiertem Aluminium

Rulli: resina acetica o gomma SEBS / Rollers: Acetal Resin or SEBS rubber / Röllchen: Azetal oder SEBS gummi

Vite: Acciaio inox / Screw: Stainless steel / Schrauben: Edelstahl

## 359 Guide a rulli laterale Roller guides / Röllchenführung

Delivery: **Easy** **Standard** Max fixing load M8 screw: 15 N/m



TYPE A

Part	Article-Nr.	Type
359	35902	A



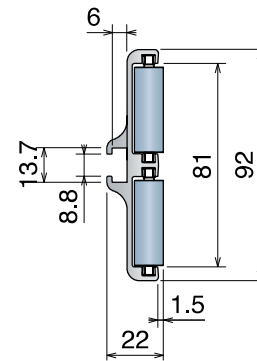
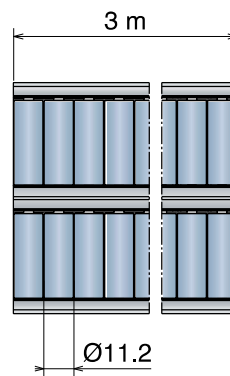
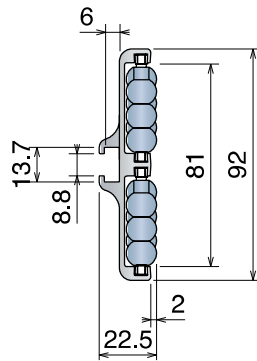
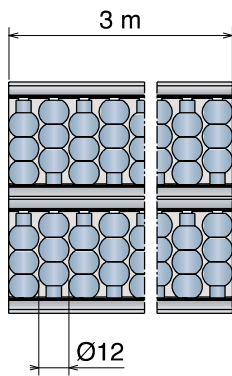
TYPE B

Part	Article-Nr.	Type
359	35904	B



TYPE B1

Part	Article-Nr.	Type
359	35906	B1



**TYPE B1**  
Soft roller  
SEBS rubber

**Roller**  
Pag 425



Fixing screw:  
M8 hex.head  
or **PART 362**  
Pag 493



## Puntale / Shoe / Einlaufschuh



Part	Article-Nr.	Type
365	36501	fresato/machined/gefräst

**Discover more options:**  
Pag 489/490

**Materiale / Material / Materialien:**

Guida: alluminio anodizzato / Guide: anodized aluminum / Führung: eloxiertem Aluminium  
 Rulli: resina acetica o gomma SEBS / Rollers: Acetal Resin or SEBS rubber / Röllchen: Azetal oder SEBS gummi

# 360

**Guide a rulli intermedia**  
**Roller guides / Röllchenführung**

Delivery: **Easy** **Standard** Max fixing load M8 screw: 15 N/m



TYPE A

Part	Article-Nr.	Type
360	36002	A



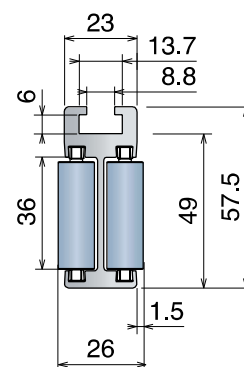
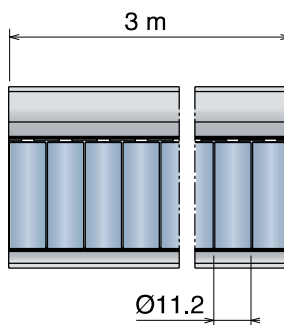
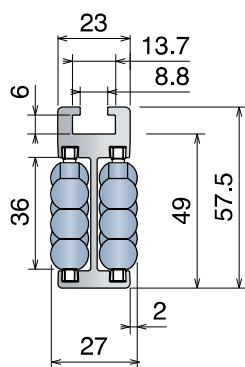
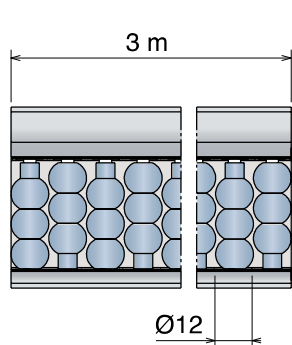
TYPE B

Part	Article-Nr.	Type
360	36004	B



TYPE B1

Part	Article-Nr.	Type
360	36006	B1



**TYPE B1**  
 Soft roller  
 SEBS rubber

**Roller**  
 Pag 425



Fixing screw:  
 M8 hex.head  
 or **PART 362**  
 Pag 493



## Puntale / Shoe / Einlaufschuh



Part	Article-Nr.	Type
366	36601	fresato/machined/gefräst

**Discover more options:**  
 Pag 489/490

**Materiale / Material / Materialien:**

Guida: alluminio anodizzato / Guide: anodized aluminum / Führung: eloxiertem Aluminium  
 Rulli: resina acetica o gomma SEBS / Rollers: Acetal Resin or SEBS rubber / Röllchen: Azetal oder SEBS gummi

## 360 Guide a rulli intermedia Roller guides / Röllchenführung

**REINFORCED VERSION**

Max fixing load M8 screw: 15 N/m



TYPE A

Part	Article-Nr.	Type
360	36012	A



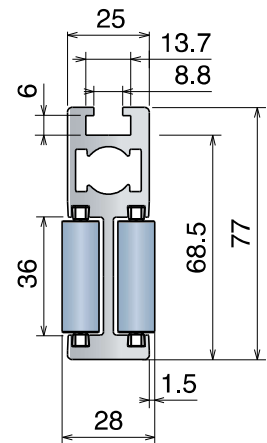
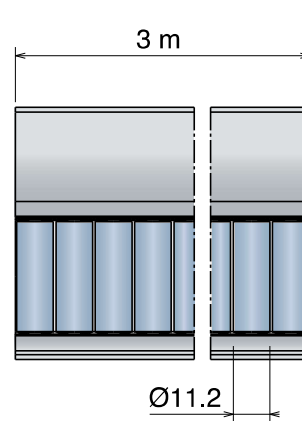
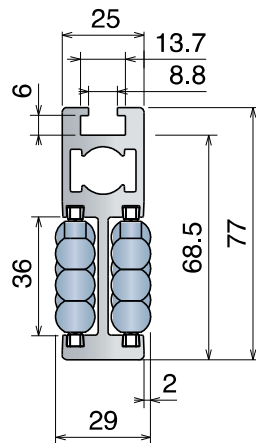
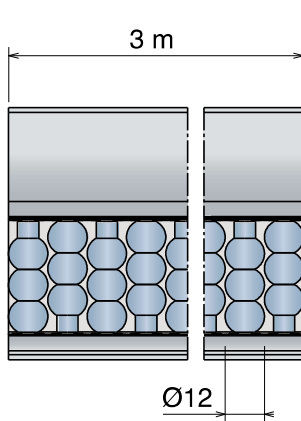
TYPE B

Part	Article-Nr.	Type
360	36014	B



TYPE B1

Part	Article-Nr.	Type
360	36016	B1



**TYPE B1**  
 Soft roller  
 SEBS rubber

**Roller**  
 Pag 425



Fixing screw:  
 M8 hex.head  
 or **PART 362**  
 Pag 493

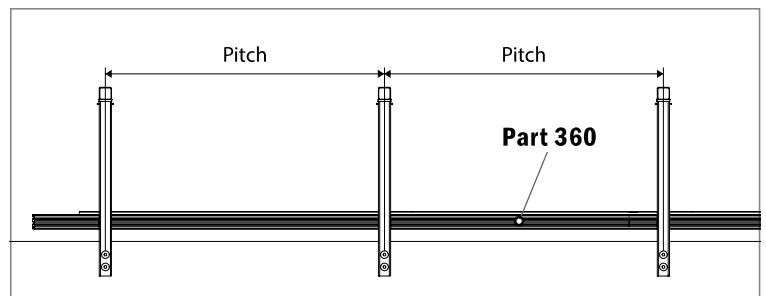


## Puntale / Shoe / Einlaufschuh



Part	Article-Nr.	Type
366	36601	fresato/machined/gefräst

Discover more options: Pag 489/490



**Part 360 Reinforced version** is a reliable roller guides solution, the new robust design permits less support elements and allows higher pitches.

Example of application



**Materiale / Material / Materialien:**

Guida: alluminio anodizzato / Guide: anodized aluminum / Führung: eloxiertem Aluminium  
 Rulli: resina acetilica o gomma SEBS / Rollers: Acetal Resin or SEBS rubber / Röllchen: Azetal oder SEBS gummi

# 361

Guide a rulli intermedia  
 Roller guides / Röllchenführung

Delivery: **Easy** **Standard** Max fixing load M8 screw: 15 N/m



TYPE A

Part	Article-Nr.	Type
361	36102	A



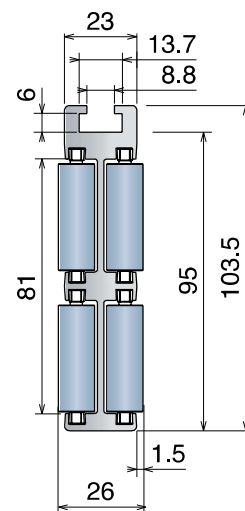
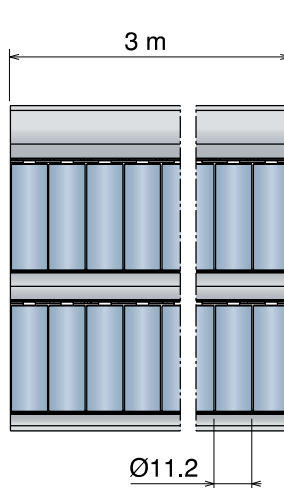
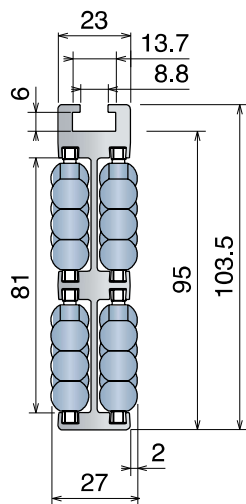
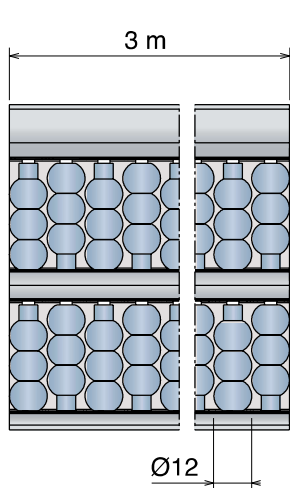
TYPE B

Part	Article-Nr.	Type
361	36104	B



TYPE B1

Part	Article-Nr.	Type
361	36106	B1



TYPE B1  
 Soft roller  
 SEBS rubber

Roller  
 Pag 425



Fixing screw:  
 M8 hex.head  
 or PART 362  
 Pag 493



## Puntale / Shoe / Einlaufschuh



Part	Article-Nr.	Type
367	36701	fresato/machined/gefräst

Discover more options:  
 Pag 489/490

**Materiale / Material / Materialien:**

Guida: alluminio anodizzato / Guide: anodized aluminum / Führung: eloxiertem Aluminium  
 Rulli: resina acetica o gomma SEBS / Rollers: Acetal Resin or SEBS rubber / Röllchen: Azetal oder SEBS gummi

## 361 Guide a rulli intermedia Roller guides / Röllchenführung

**REINFORCED VERSION**

Delivery: **Easy** **Standard** Max fixing load M8 screw: 15 N/m



TYPE A

Part	Article-Nr.	Type
361	36112	A



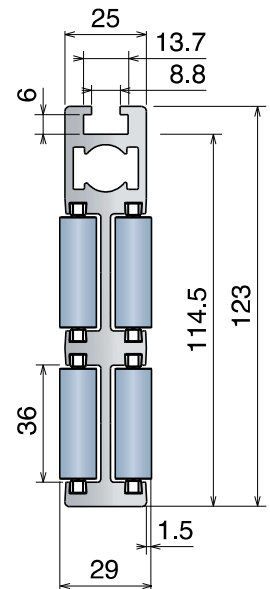
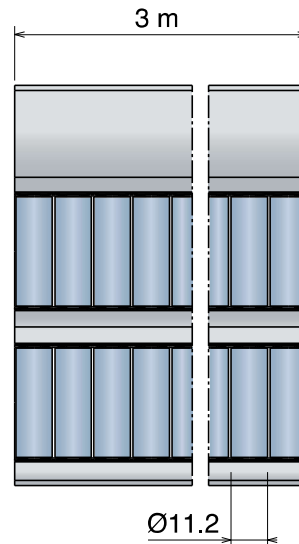
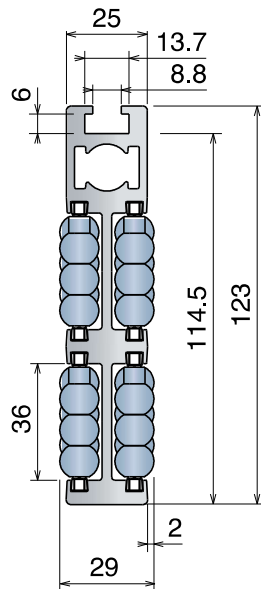
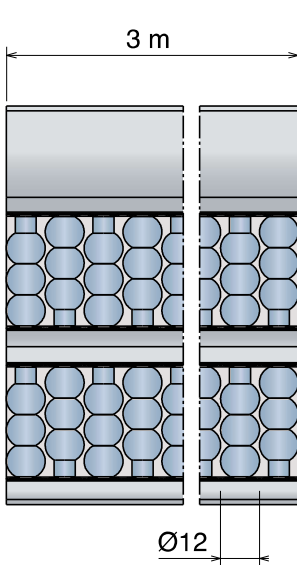
TYPE B

Part	Article-Nr.	Type
361	36114	B



TYPE B1

Part	Article-Nr.	Type
361	36116	B1



**TYPE B1**  
 Soft roller  
 SEBS rubber

**Roller**  
 Pag 425



Fixing screw:  
 M8 hex.head  
 or **PART 362**  
 Pag 493

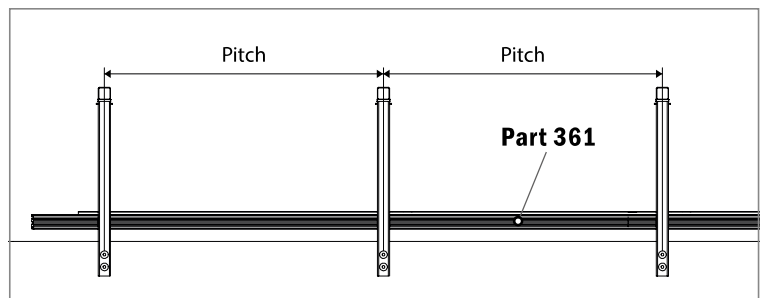


## Puntale / Shoe / Einlaufschuh



Part	Article-Nr.	Type
367	36701	fresato/machined/gefräst

Discover more options: Pag 489/490



**Part 361 Reinforced version** is a reliable roller guides solution, the new robust design allows less support elements and wider pitches.

Example of application

**Materiale / Material / Materialien:**

Rulli: Resina acetica / Rollers: Acetal Resin / Röllchen: Azetal

Grano: Acciaio inox / Grub Screws: Stainless steel / Gewindestift: Edelstahl

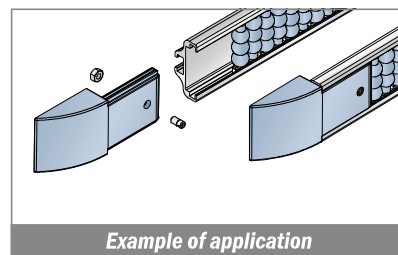
Dadi: ottone nichelato / Nuts: nickel plated brass / Mutter: Messing vernickelt

**364-365**

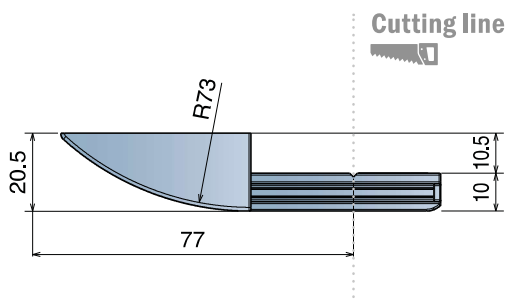
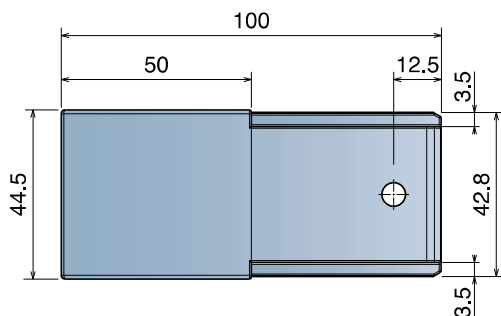
Componenti / Conveyor components / Komponenten

**364** Puntale  
Shoe / EinlaufschuhDelivery: **Easy** **Standard** Part 364 it is designed to allow the possibility to shorten it, if necessary.

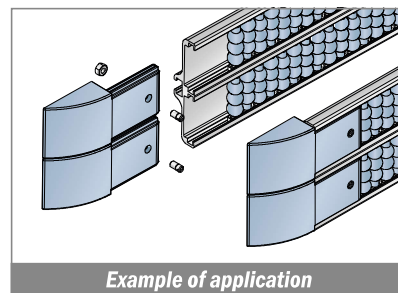
Part	Article-Nr.	Grub screw
364	36411	M6



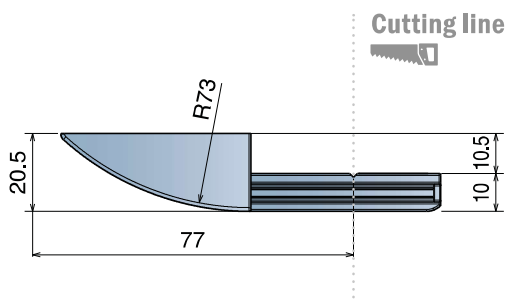
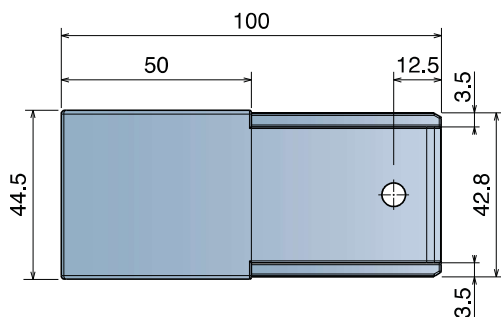
Example of application

**365** Puntale  
Shoe / EinlaufschuhDelivery: **Easy** **Standard** Part 365 it is designed to allow the possibility to shorten it, if necessary.

Part	Article-Nr.	Grub screw
365	36511	M6



Example of application



**Materiale / Material / Materialien:**

Rulli: Resina acetica / Rollers: Acetal Resin / Röllchen: Azetal

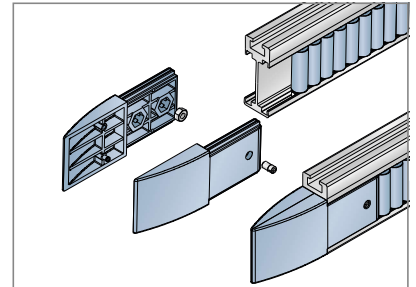
Grano: Acciaio inox / Grub Screws: Stainless steel / Gewindestift: Edelstahl

Dadi: ottone nichelato / Nuts: nickel plated brass / Mutter: Messing vernickelt

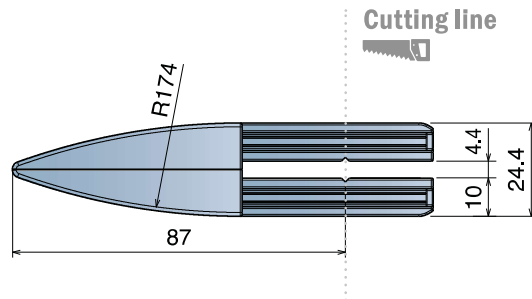
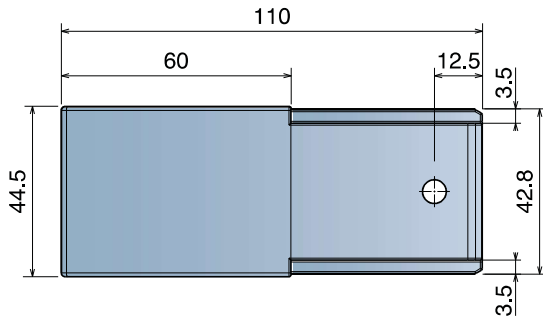
## 366 Puntale Shoe / Einlaufschuh

Delivery: **Easy** **Standard** Part 366 it is designed to allow the possibility to shorten it, if necessary.

Part	Article-Nr.	Grub screw
366	36611	M6



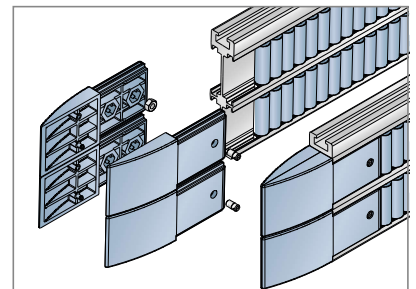
Example of application



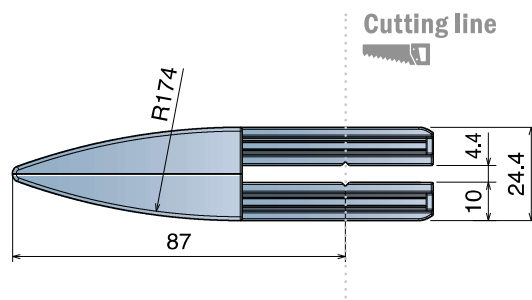
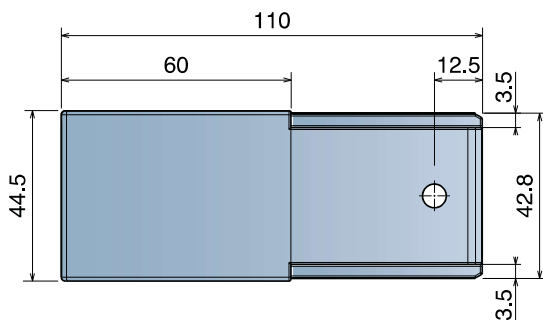
## 367 Puntale Shoe / Einlaufschuh

Delivery: **Easy** **Standard** Part 367 it is designed to allow the possibility to shorten it, if necessary.

Part	Article-Nr.	Grub screw
367	36711	M6



Example of application



**Materiale / Material / Materialien:** Puntale: PE HD/Shoe: PE HD/Corpus: PE HD  
 Perni: acciaio inox/Pins: SS/Bolzen: Edelstahl  
 Rulli: resina acetica o gomma SEBS/Rollers: Acetal Resin or SEBS rubber  
 Röllchen: Azetal oder SEBS gummi

# 366-367

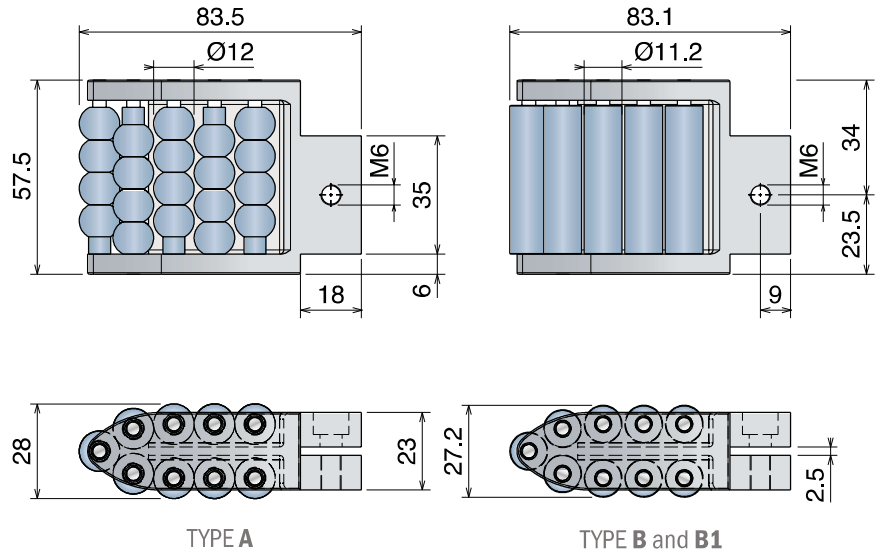
Componenti / Conveyor components / Komponenten

## 366 Puntale centrale a rulli Central roller shoe / Einlaufschuh

**PATENTED**



Part	Article-Nr.	Type
366	36621	A - Acetal resin roller
366	36622	B - Acetal resin roller
366	36623	B1 - Soft roller SEBS

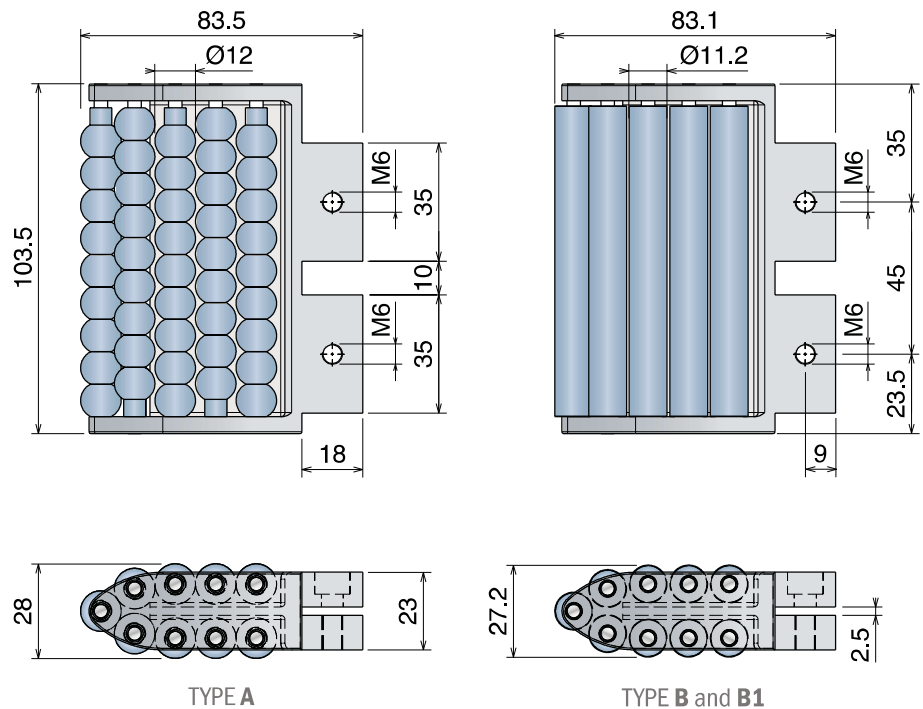


## 367 Puntale centrale a rulli Central roller shoe / Einlaufschuh

**PATENTED**



Part	Article-Nr.	Type
367	36721	A - Acetal resin roller
367	36722	B - Acetal resin roller
367	36723	B1 - Soft roller SEBS



# 364-365

Componenti / Conveyor components / Komponenten

**Materiale / Material / Materialien:** Puntale: PE HD/Shoe: PE HD/Corpus: PE HD  
 Perni: acciaio inox/Pins: SS/Bolzen: Edelstahl  
 Rulli: resina acetica o gomma SEBS/Rollers: Acetal Resin or SEBS rubber  
 Röllchen: Azetal oder SEBS gummi

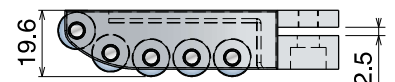
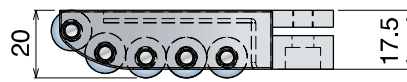
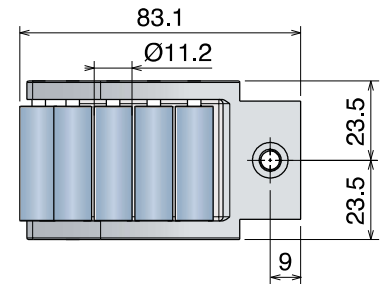
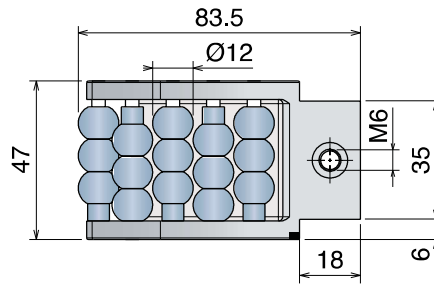
## 364 Puntale laterale a rulli Side roller shoe / Einlaufschuh

**PATENTED**



**TYPE B1**  
Soft roller  
SEBS rubber

Part	Article-Nr.	Type
364	36421	A - Acetal resin roller
364	36422	B - Acetal resin roller
364	36423	B1 - Soft roller SEBS



TYPE A

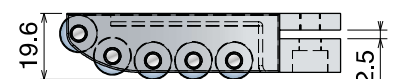
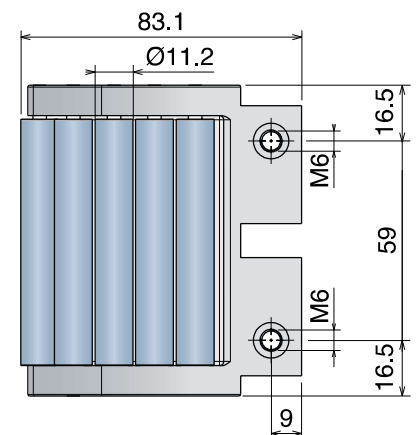
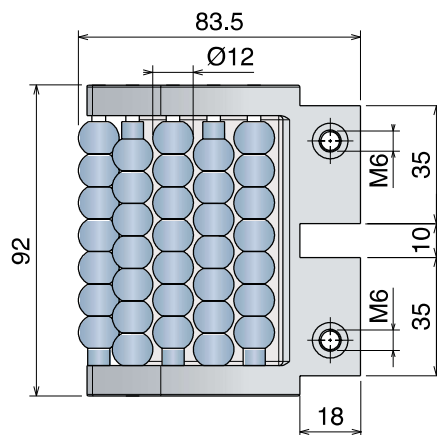
TYPE B and B1

## 365 Puntale laterale a rulli Side roller shoe / Einlaufschuh

**PATENTED**



Part	Article-Nr.	Type
365	36521	A - Acetal resin roller
365	36522	B - Acetal resin roller
365	36523	B1 - Soft roller SEBS



TYPE A

TYPE B and B1

**Materiale / Material / Materialien:**

Profilo: PE/Profile: PE/Profil: PE

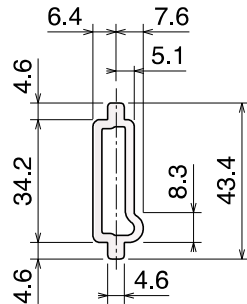
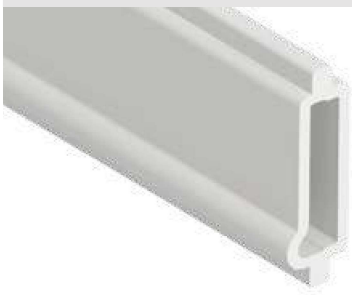
Guide: alluminio anodizzato/Guide: anodized aluminum

Führung: eloxiertem Aluminium

# 395-362-333-358/359/360/361

Componenti / Conveyor components / Komponenten

## 395 Guida laterale in PE PE side guides / Seitenführung in PE



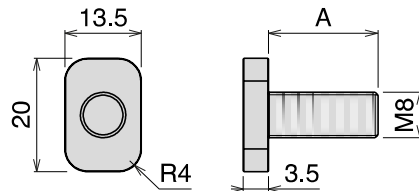
Part	Article-Nr.	L
395	39501	3 m



Example of application

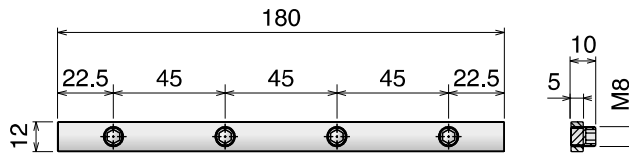
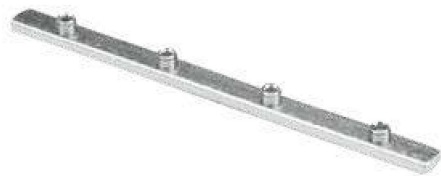
## 362 Vite a "T" T-bolt / T-Schraube

Delivery: **Easy** **Standard** Used with Part 154/155/159/164/165/358/359/360/361/1055/1088/1089



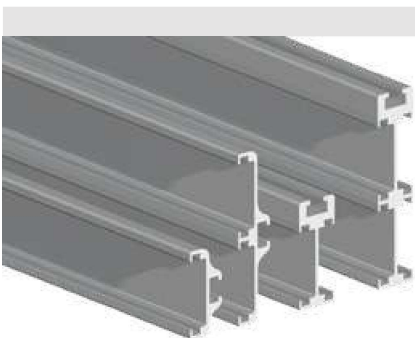
Part	Article-Nr.	A
362	36201	16
362	36202	19
362	36203	25

## 333 Elemento di giunzione Connecting elements / Verbindungselement

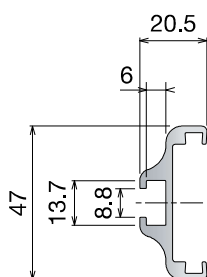
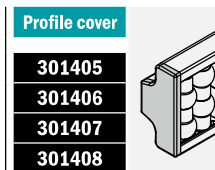


Part	Article-Nr.
333	33301

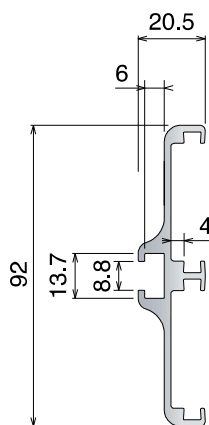
## NEW 358/359/360/361 Guide in alluminio Aluminum guides / Aluminiumführung



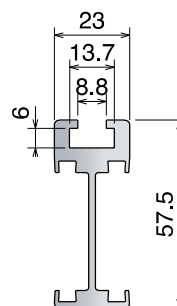
Part	Article-Nr.	Version	Min. radius	Supply	Profile cover
358	35800	Single-lateral	250	3 m	301405
359	35900	Double-lateral	500	3 m	301406
360	36000	Single-central	500	3 m	301407
361	36100	Double-central	750	3 m	301408



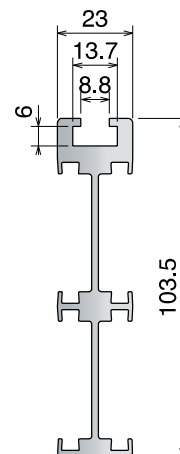
35800



35900



36000



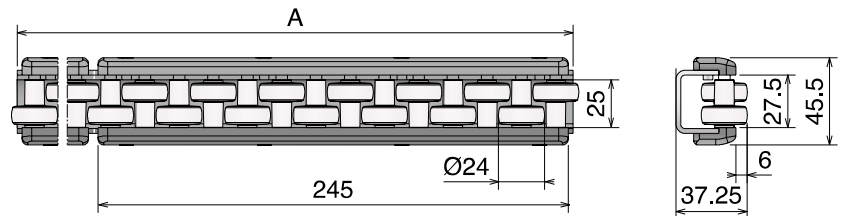
36100

## 353 Guide a rulli di accumulo Accumulation roller guides / Stauröllchenführung

Delivery: **Easy** **Standard**



Part	Article-Nr.	A	Pin	Pin Ø
353	35301	1 m	PA	6 mm
353	35302	2 m	PA	6 mm
353	35303	3 m	PA	6 mm

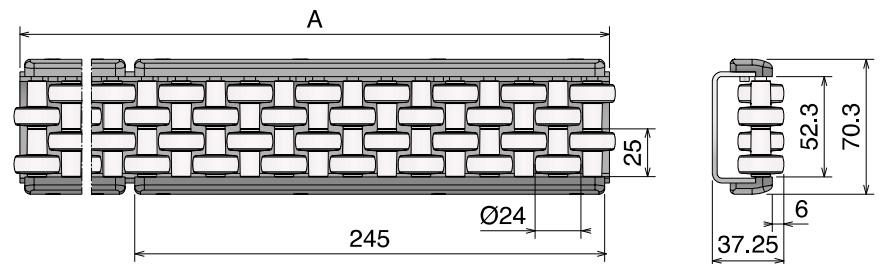


## 354 Guide a rulli di accumulo Accumulation roller guides / Stauröllchenführung

Delivery: **Easy** **Standard**



Part	Article-Nr.	A	Pin	Pin Ø
354	35401	1 m	PA	6 mm
354	35402	2 m	PA	6 mm
354	35403	3 m	PA	6 mm

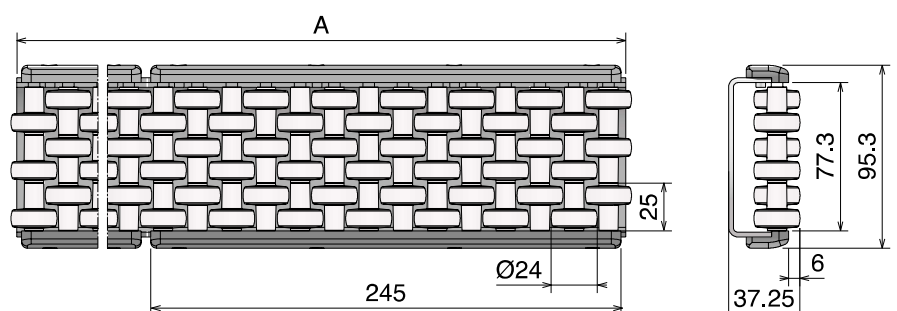


## 355 Guide a rulli di accumulo Accumulation roller guides / Stauröllchenführung

Delivery: **Easy** **Standard**



Part	Article-Nr.	A	Pin	Pin Ø
355	35501	1 m	SS	6 mm
355	35502	2 m	SS	6 mm
355	35503	3 m	SS	6 mm





**Material:** Resina acetalica / Acetal Resin / Azetal or **BluLub®**.  
 Polyethylene UHMW-PE with reduced coefficient of friction and higher wear resistance.  
 BluLub complies with the code of Federal Regulations of FDA. Linear expansion coefficient:  
 $1.1 \times 10^{-4} \text{ } ^\circ\text{F}^{-1}$  ( $2 \times 10^{-4} \text{ } ^\circ\text{C}^{-1}$ ) Operating temperature: -40 to 176°F (-40 to +80°C)

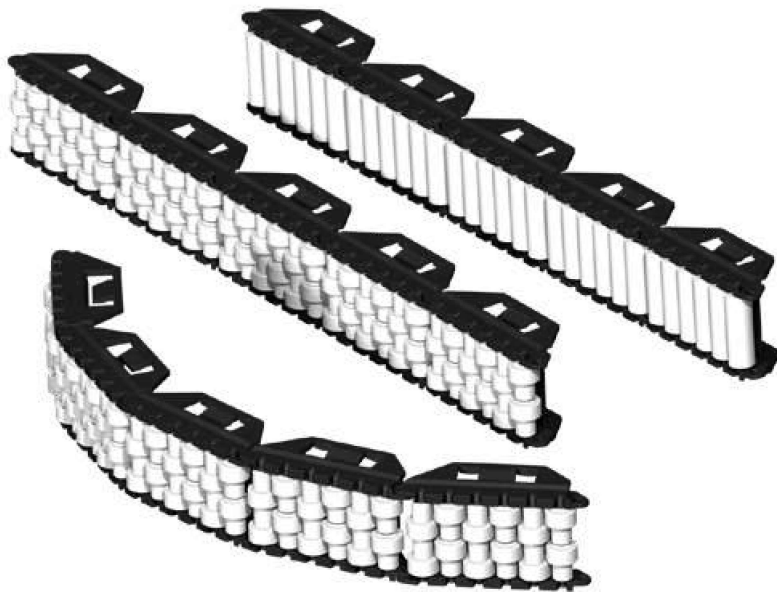
# 363 Guida a rulli flessibile

Flexible roller guide / Flexible Röllchenführung

**RANGE EXTENSION**

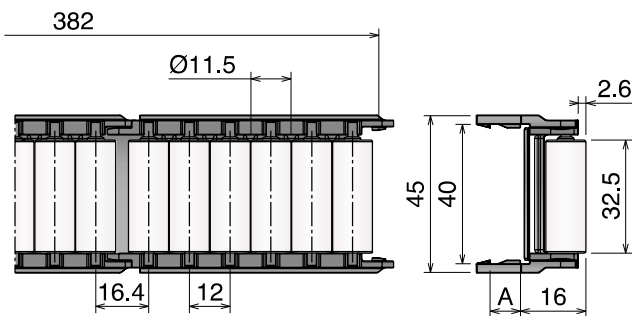
Delivery: **Easy** **Standard**

Part	Article-Nr.	Type	A	Colour
363	36301	A	8	White
363	36302	B	8	White
363	36303	A	10	White
363	36304	B	10	White
363	36305	A	8	BluLub
363	36306	A	10	BluLub

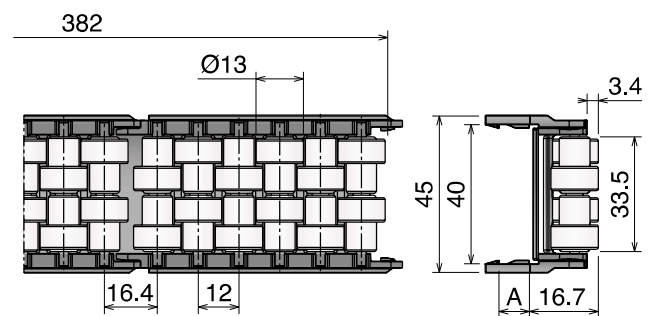


Try with...  
**BluLub®**  
 Rollers!

- Lower wear
- Noise reduction
- Improved product stability
- Lower coefficient of friction
- Less energy consumption

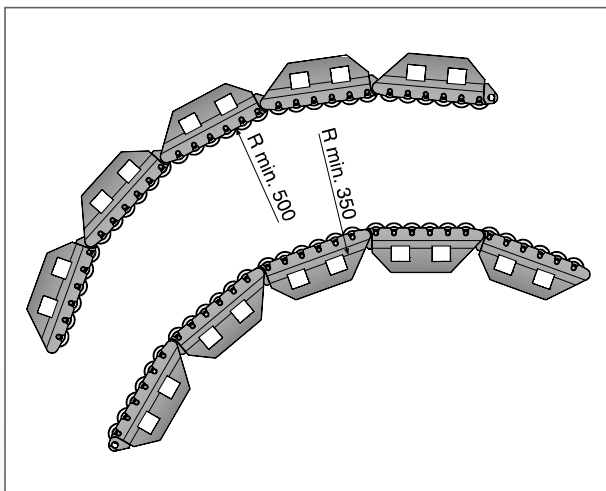


TYPE A

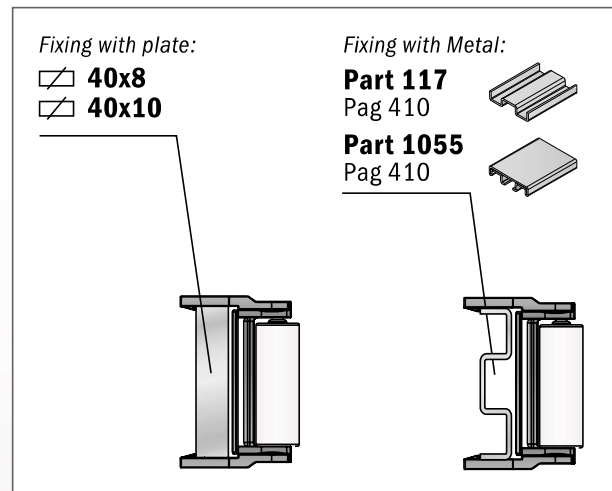


TYPE B

**Curvature radius**



**Fixing with plate and metal profile**



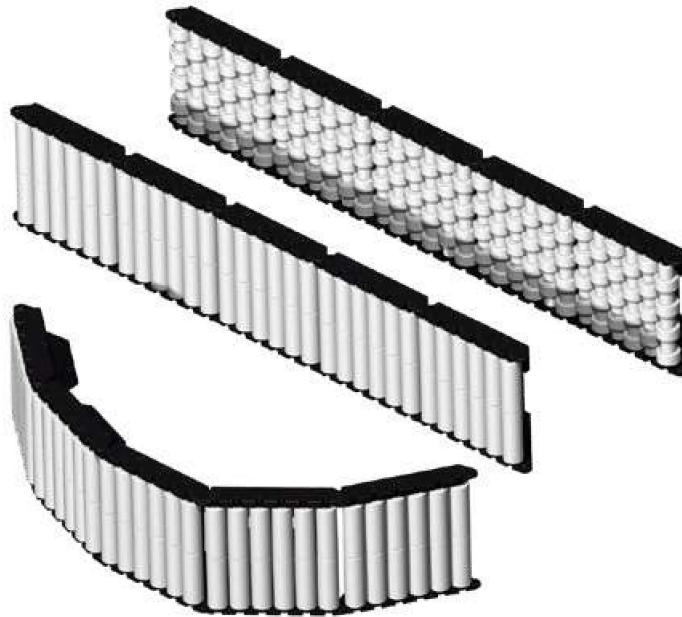
**Material:** Resina acetica / Acetal Resin / Azetal or **BluLub**.  
 Polyethylene UHMW-PE with reduced coefficient of friction and higher wear resistance.  
 BluLub complies with the code of Federal Regulations of FDA. Linear expansion coefficient:  
 $1.1 \times 10^{-4} \text{ } ^\circ\text{F}^{-1}$  ( $2 \times 10^{-4} \text{ } ^\circ\text{C}^{-1}$ ) Operating temperature: -40 to 176 °F (-40 to +80 °C)

## 396 Guida a rulli flessibile Flexible roller guide / Flexible Röllchenführung

**RANGE EXTENSION**

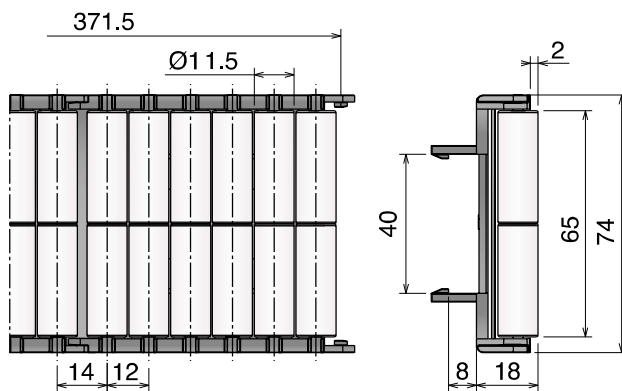
Delivery: **Easy** **Standard**

Part	Article-Nr.	Type	Colour
396	39601	A	White
396	39602	B	White
396	39603	A	BluLub

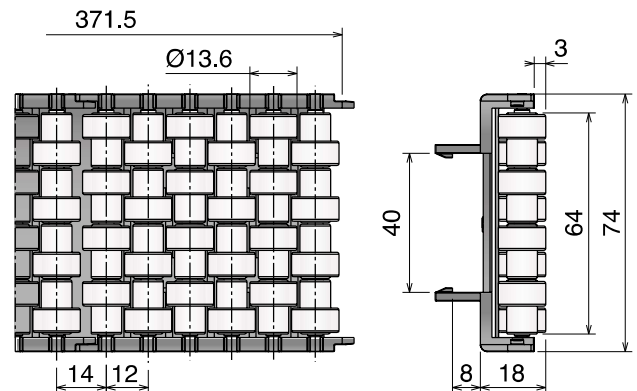


Try with...  
**BluLub**  
 Rollers!

- Lower wear
- Noise reduction
- Improved product stability
- Lower coefficient of friction
- Less energy consumption

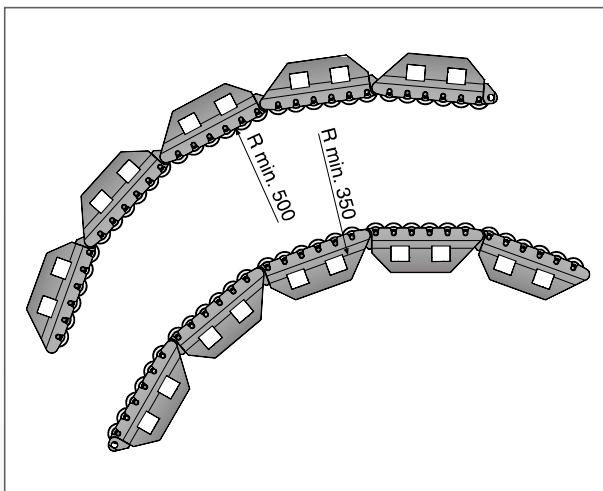


TYPE A

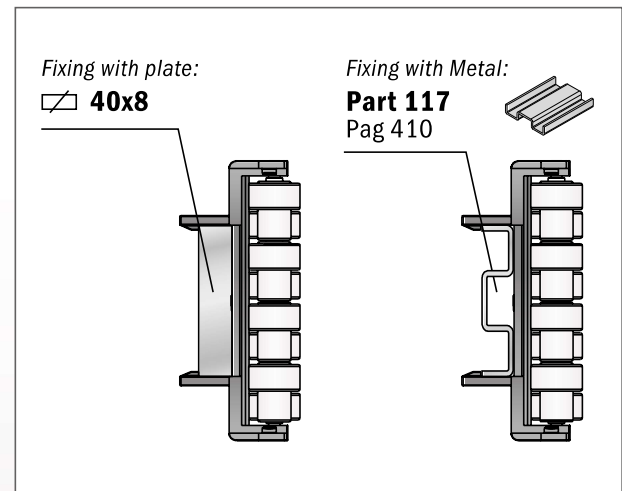


TYPE B

### Curvature radius



### Fixing with plate and metal profile

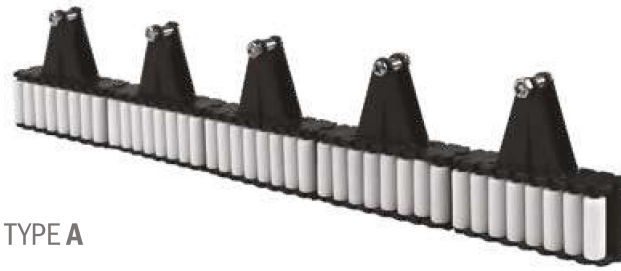


**Material:** Resina acetica / Acetal Resin / Azetal or **BluLub®**.  
 Polyethylene UHMW-PE with reduced coefficient of friction and higher wear resistance.  
 BluLub complies with the code of Federal Regulations of FDA. Linear expansion coefficient:  
 $1.1 \times 10^{-4} \text{ } ^\circ\text{F}^{-1}$  ( $2 \times 10^{-4} \text{ } ^\circ\text{C}^{-1}$ ) Operating temperature: -40 to 176°F (-40 to +80°C)

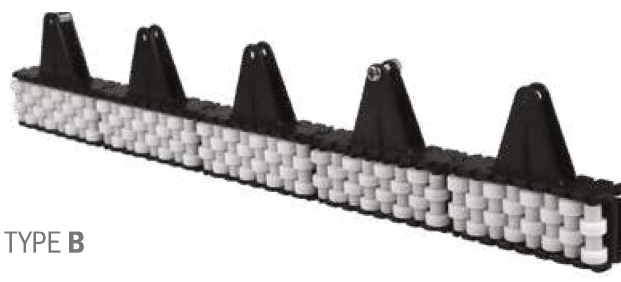
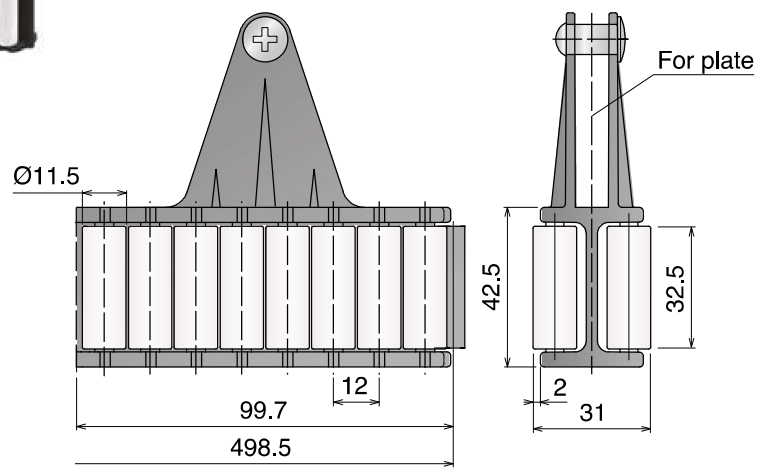
# 363 Guida a rulli flessibile (centrale)

## Flexible roller guide (Centre) / Flexible Röllchenführung (Zentral)

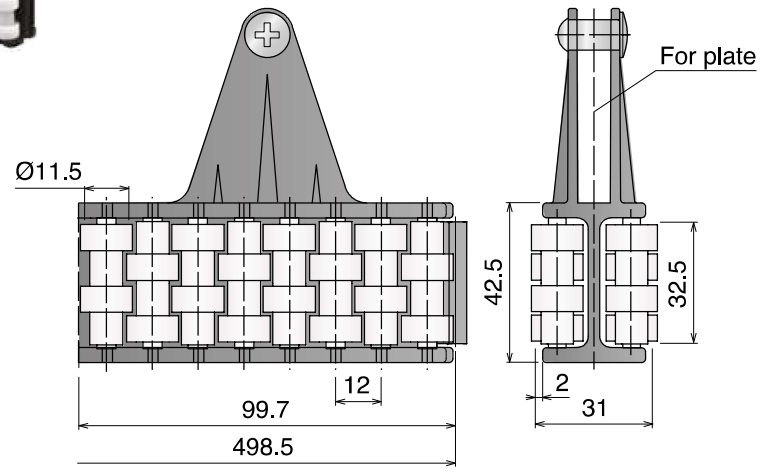
Delivery:	Easy	Standard	Can also be used with Part 117 Pag 410 - Part 1055 Pag 410	Part	Article-Nr.	Type	For plate	Colour
				363	36313	A	40x8	White
				363	36311	B	40x10	White
				363	36314	A	40x8	White
				363	36312	B	40x10	White



TYPE A

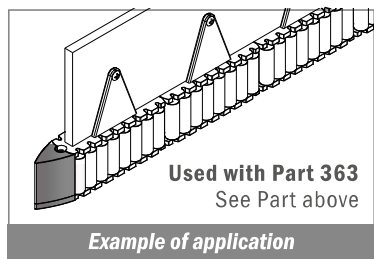
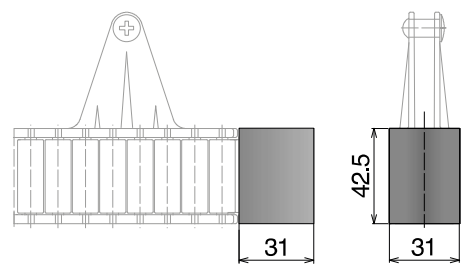


TYPE B



### Puntale / Shoe / Einlaufschuh

Part	Article-Nr.	For Type
363	36399	A & B

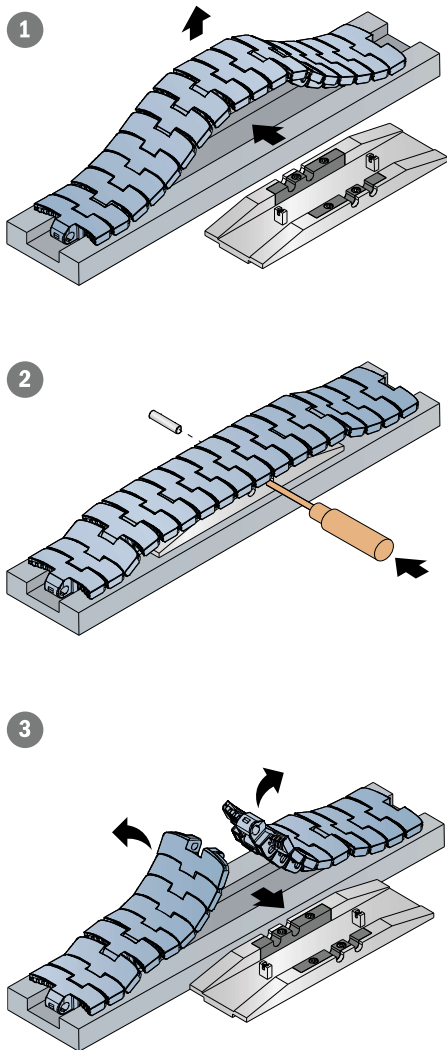


## 199/299 Blocco di montaggio catena Chain mounting block / Kettenmontageblock

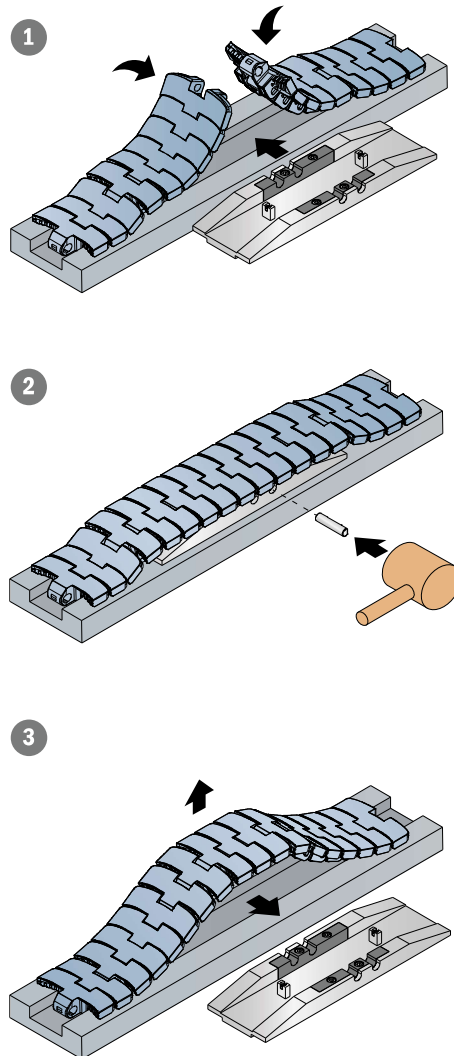
Delivery: **Easy** Standard



### Disassembling mode:



### Assembling mode:



Part	Article-Nr.
------	-------------

<b>199</b>	<b>19980</b>
------------	--------------

**For steel chain:**

812/815 (GT)

881 M (GT)

**and plastic chain:**

820 (GT)

831

Part	Article-Nr.
------	-------------

<b>199</b>	<b>19981</b>
------------	--------------

**For steel chain:**

8157 (GT)

8857 M (GT/LBP)

**and plastic chain:**

8257 (GT/LBP)

8857 (GT/LBP)

882 Bevel

Part	Article-Nr.
------	-------------

<b>199</b>	<b>19982</b>
------------	--------------

**For steel chain:**

812/815 (GT)

881 M (GT)

**and plastic chain:**

828 (GT/LBP)

880 M

880 Bevel

879 M

879 Bevel

Part	Article-Nr.
------	-------------

<b>299</b>	<b>29978</b>
------------	--------------

**For sideflexing**

**belt/ chain:**

260 M (FT/FG)

261 M (FT)

**Materiale / Material / Materialien:**

Modulo: resina acetlica/Module: acetal resin/Module: Azetal

Perni, viti e dadi: Acciaio inox/Pins, screws and nuts: Stainless steel/Bolzen, Schraube und Mutter: Edelstahl

Rulli: resina acetlica o acciaio inox/Rollers: acetal resin or stainless steel/Röllchen: Azetal oder Edelstahl

## 368 Moduli di trasferimento L=85 mm Transfer modules L=85 mm / Überschubmodul L=85 mm

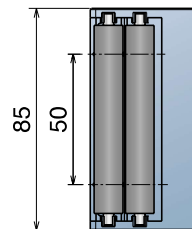
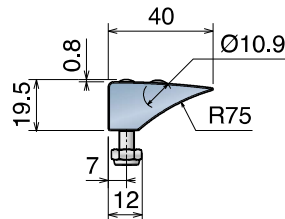
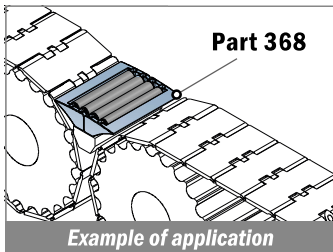
NOW ALSO WITH PFX ROLLERS

Delivery: **Easy** **Standard**

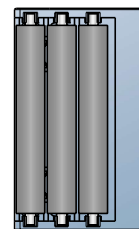
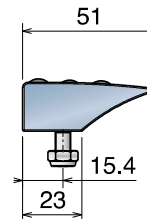
Part	Article-Nr.	Type	Roller material
368	36801	A	Acetal resin
368	36802	B	Acetal resin
368	36803	C	Acetal resin
368	36801PFX	A	<b>PFX</b>
368	36802PFX	B	<b>PFX</b>
368	36803PFX	C	<b>PFX</b>
368	36801SS	A	Stainless steel
368	36802SS	B	Stainless steel
368	36803SS	C	Stainless steel



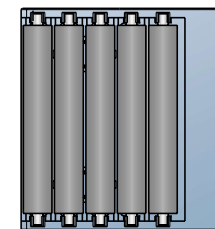
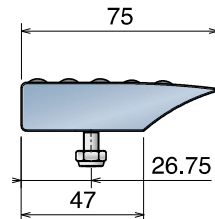
**Smart roller**  
with mini bearings  
in stainless steel



TYPE A



TYPE B



TYPE C

## 369 Moduli di trasferimento L=115 mm Transfer modules L=115 mm / Überschubmodul L=115 mm

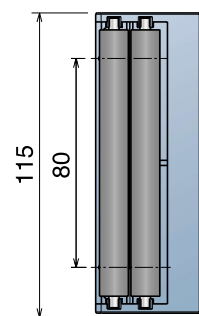
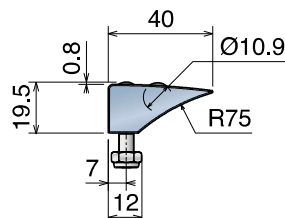
NOW ALSO WITH PFX ROLLERS

Delivery: **Easy** **Standard**

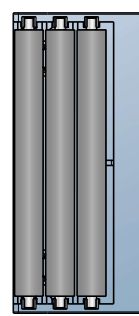
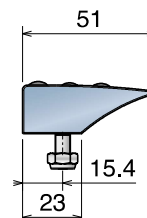
Part	Article-Nr.	Type	Roller material
369	36901	A	Acetal resin
369	36902	B	Acetal resin
369	36903	C	Acetal resin
369	36901PFX	A	<b>PFX</b>
369	36902PFX	B	<b>PFX</b>
369	36903PFX	C	<b>PFX</b>
369	36901SS	A	Stainless steel
369	36902SS	B	Stainless steel
369	36903SS	C	Stainless steel



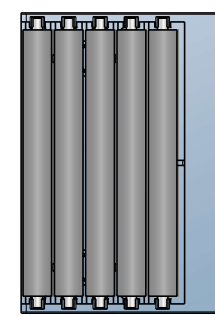
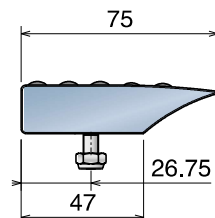
**Smart roller**  
with mini bearings  
in stainless steel



TYPE A



TYPE B



TYPE C

# 370-371

Componenti / Conveyor components / Komponenten

Materiale / Material / Materialien:

Modulo: resina acetlica / Module: acetal resin / Module: Azetal

Perni, viti e dadi: Acciaio inox / Pins, screws and nuts: Stainless steel / Bolzen, Schraube und Mutter: Edelstahl

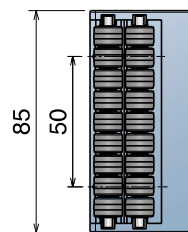
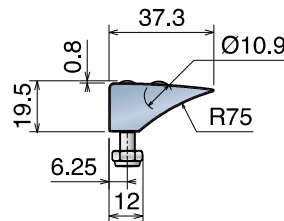
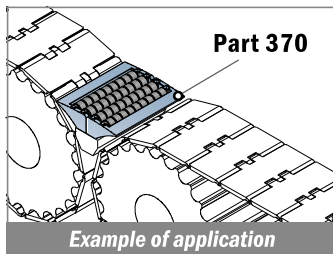
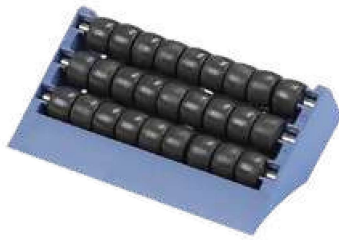
Rulli: resina acetlica o acciaio inox / Rollers: acetal resin or stainless steel / Rollen: Azetal oder Edelstahl

## 370 Moduli di trasferimento L=85 mm Transfer modules L=85 mm / Überschubmodul L=85 mm

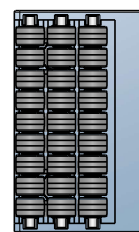
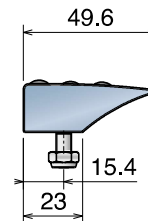
NOW ALSO WITH PFX ROLLERS

Delivery: **Easy** **Standard**

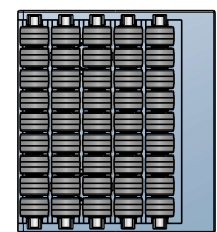
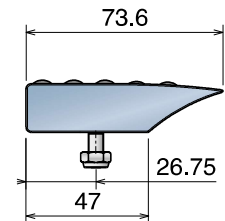
Part	Article-Nr.	Type	Roller material
370	37001	A	Acetal resin
370	37002	B	Acetal resin
370	37003	C	Acetal resin
370	37001PFX	A	<b>PFX</b>
370	37002PFX	B	<b>PFX</b>
370	37003PFX	C	<b>PFX</b>



TYPE A



TYPE B



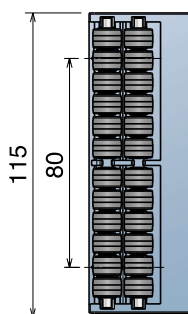
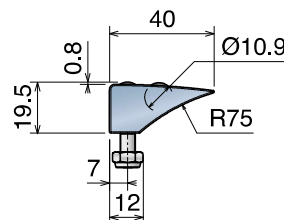
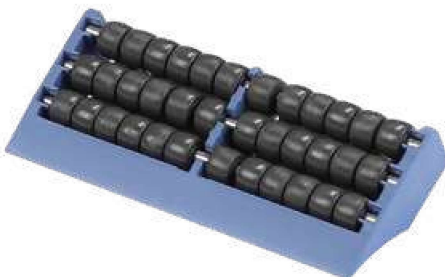
TYPE C

## 371 Moduli di trasferimento L=115 mm Transfer modules L=115 mm / Überschubmodul L=115 mm

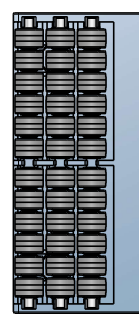
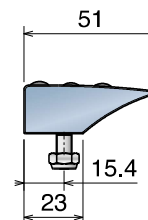
NOW ALSO WITH PFX ROLLERS

Delivery: **Easy** **Standard**

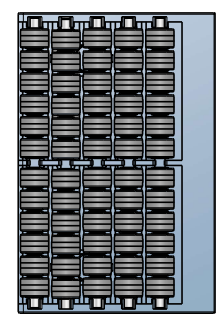
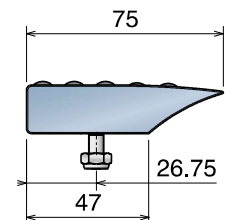
Part	Article-Nr.	Type	Roller material
371	37101	A	Acetal resin
371	37102	B	Acetal resin
371	37103	C	Acetal resin
371	37101PFX	A	<b>PFX</b>
371	37102PFX	B	<b>PFX</b>
371	37103PFX	C	<b>PFX</b>



TYPE A



TYPE B



TYPE C

**Materiale / Material / Materialien:**

Modulo: **BluLub** / Module: **BluLub** / Module: **BluLub**

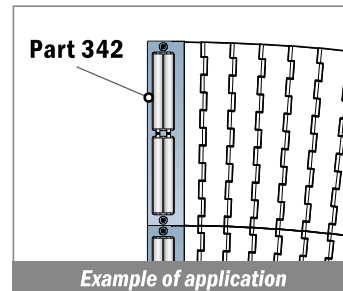
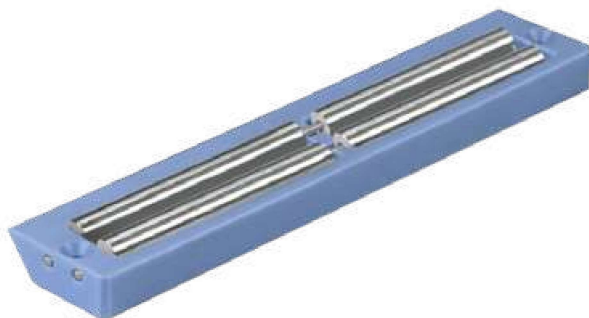
Perno: Acciaio inox / Pin: Stainless steel / Bolzen: Edelstahl

Rulli: Acciaio inox / Rollers: Stainless steel / Rollen: Edelstahl

**342** Moduli di trasferimento L=200 mm  
Transfer modules L=200 mm / Überschubmodul L=200 mm

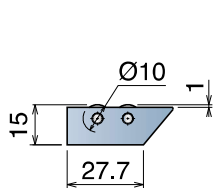
**RANGE EXTENSION**

Part	Article-Nr.	Type	Material
370	34201	A	BluLub
370	34201N	B	BluLub
370	34201NL	C	BluLub
370	34201S	A	PE Black
370	34201NS	B	PE Black
370	34201NLS	C	PE Black

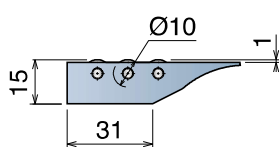
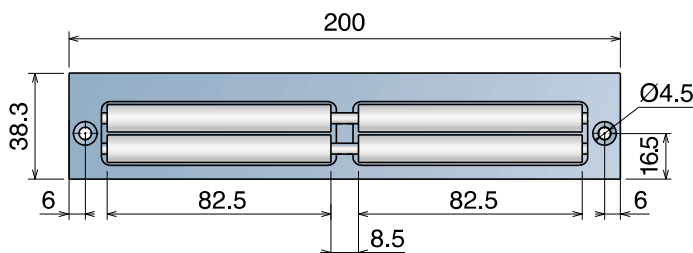


**Smart roller**

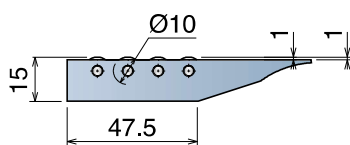
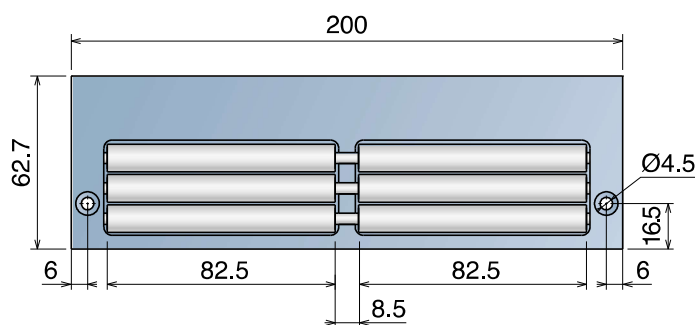
with mini bearings  
in stainless steel



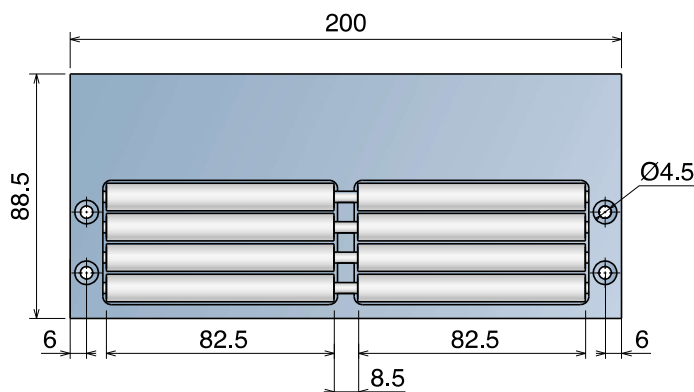
TYPE A



TYPE B



TYPE C



**Advantages:**

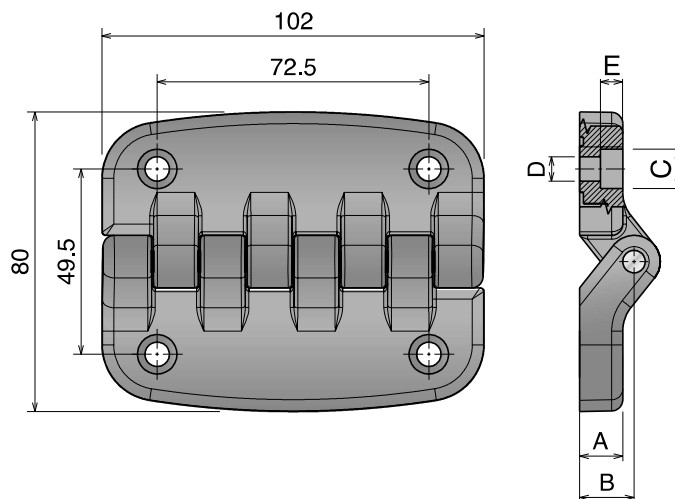
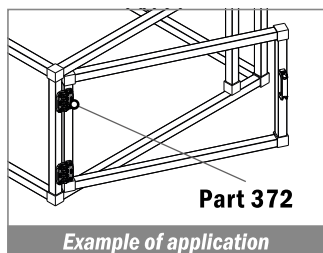
- Machined transfer
- High precision
- Solid structure
- Easy to install

## 372 Cerniera Hinge / Scharnier

NOW ALSO IN HYGIENIC BLUE

Delivery: **Easy** Standard

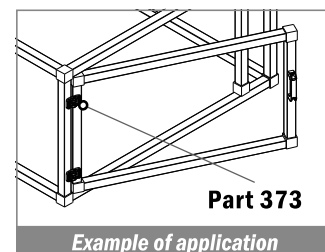
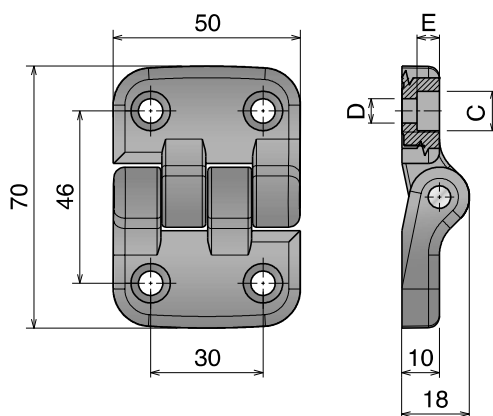
Part	Article-Nr.	A	B	C	D	E	Colour
372	37201	11	14	10,5	6,5	6	Black
372	37202	11	14	13,5	8,5	8	Black
372	37203	18	21	13,5	8,5	8	Black
372	37211	11	14	10,5	6,5	6	Hygienic blue
372	37212	11	14	13,5	8,5	8	Hygienic blue
372	37213	18	21	13,5	8,5	8	Hygienic blue



## 373 Cerniera Hinge / Scharnier

Delivery: **Easy** Standard

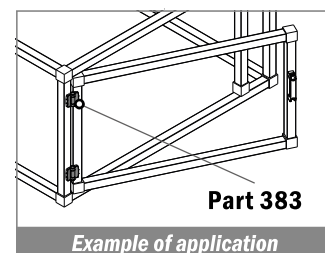
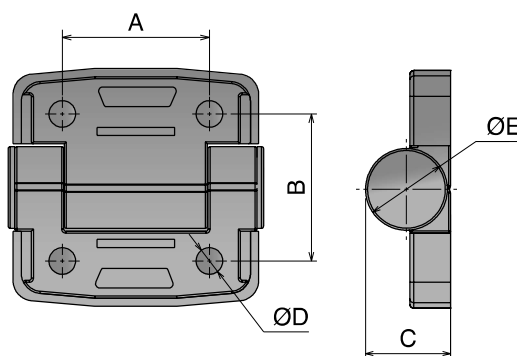
Part	Article-Nr.	C	D	E
373	37301	10,5	6,5	6
373	37302	13,5	8,5	4



## 383 Cerniera Hinge / Scharnier

Delivery: **Easy** Standard

Part	Article-Nr.	A	B	C	ØD	ØE	F	G
383	38301	24	25	14,5	4,5	14	44,6	41
383	38302	36	36	20,8	6,5	20	62,5	58



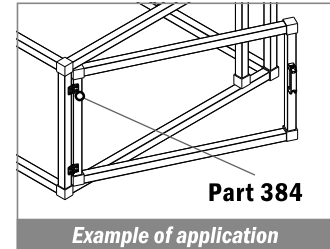
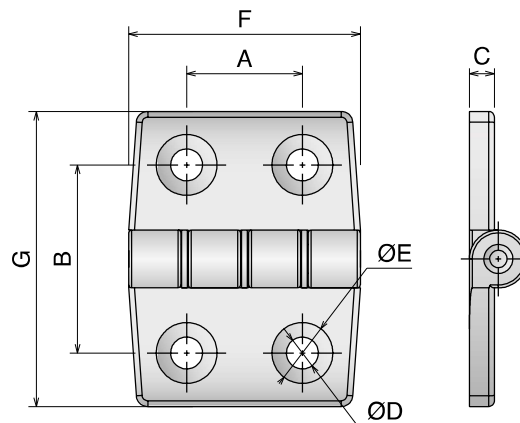


## 384 Cerniera Acciaio Inox SS Hinge / Edelstahl Scharnier

Stainless Steel | AISI 304

Delivery: **Easy** Standard

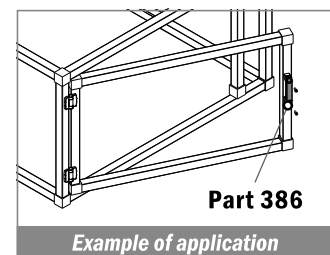
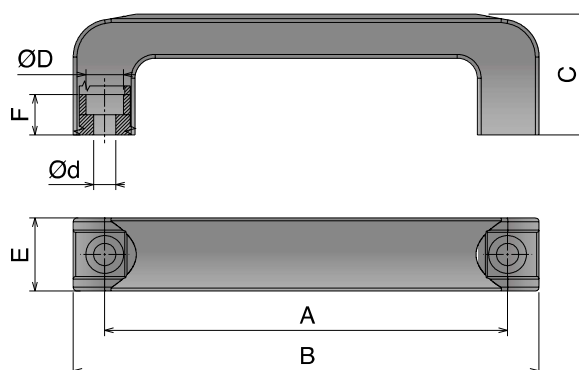
Part	Article-Nr.	A	B	C	ØD	ØE	F	G
384	38401	20	32,5	4,3	5,5	10,5	40	51
384	38402	30	41	5	6,5	12,5	60	71



## 386 Maniglia Handle / Handgriff

Delivery: **Easy** Standard

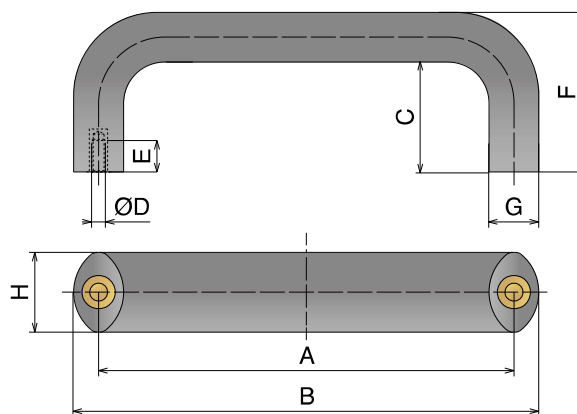
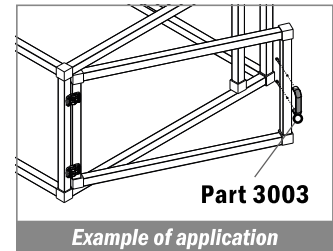
Part	Article-Nr.	A	B	C	Ød	ØD	E	F
386	38603	120	140	40	7	11	24	15
386	38601	120	140	40	8,5	13	24,5	16
386	38602	160	185	48	8,5	15	29	16



## 3003 Maniglia piena con boccola Solid handle with threaded insert / Handgriff mit Innengewinde

Delivery: **Easy** **Standard**

Part	Article-Nr.	A	B	C	ØD	E	F	G	H
3003	300301	120	134	34	M6	9	50	16	25
3003	300302	120	134	34	M8	14	50	16	25

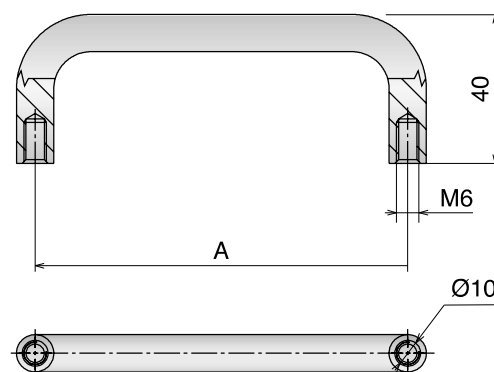
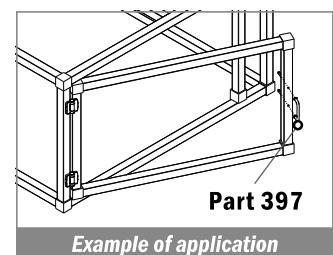


## 397 Maniglia acciaio inox Stainless Steel handle / Handgriffe Edelstahl

Delivery: **Easy** **Standard**

**Stainless Steel | AISI 304**

Part	Article-Nr.	A
397	39701	95
397	39702	100
397	39703	110



**Materiale / Material / Materialien:**

Maniglia: Poliammide/Handle: Polyamide/Griff: Polyamid

Insero femmina: Ottone nichelato/Female insert: Nickel plated brass/Einsatz: Messing vernickelt

Insero maschio: Acciaio inox/Male insert: Stainless steel/Aussengewinde: Edelstahl

**374-375**

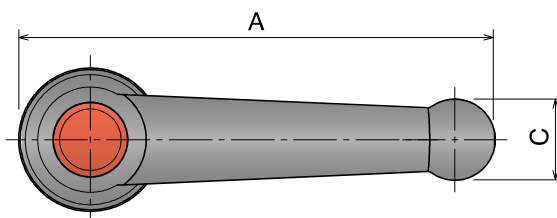
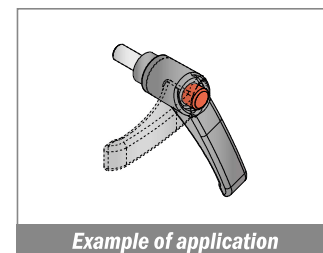
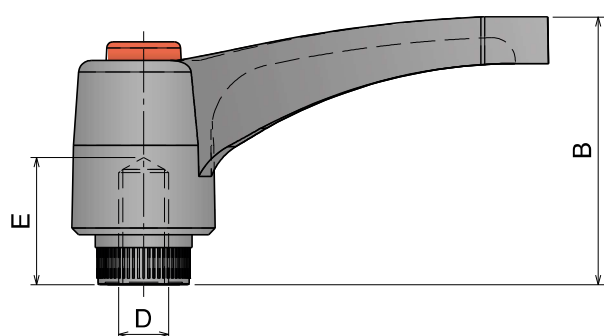
Componenti / Conveyor components / Komponenten

**374** Maniglia a ripresa  
Adjustable handle / Ratschenhebel

**NEW DESIGN**

Delivery: **Easy** **Standard**

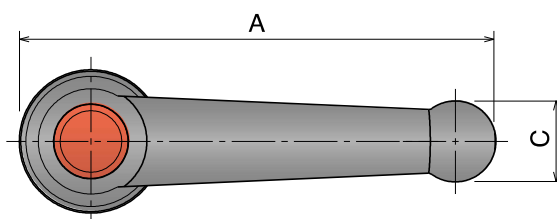
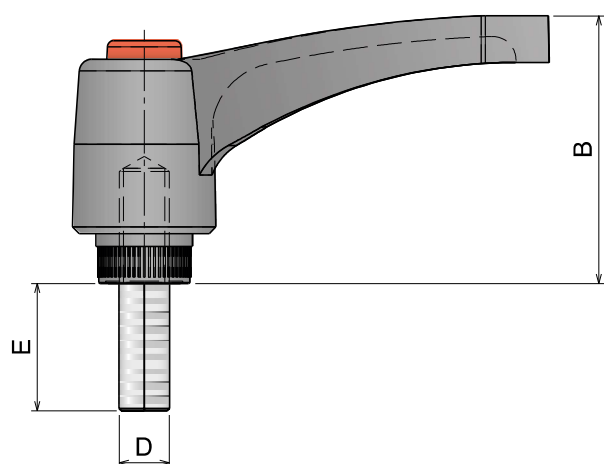
Part	Article-Nr.	A	B	C	D	E
374	37403	51	33	9	M5	12
374	37404	51	33	9	M6	12
374	37405	63	41	12	M6	18
374	37406	63	41	12	M8	18
374	37407	63	41	12	M10	18
374	37401	76.5	43	13	M8	18
374	37409	76.5	43	13	M10	18
374	37402	93.5	54	15.5	M10	22
374	37408	93.5	54	15.5	M12	22



**375** Maniglia a ripresa  
Adjustable handle / Ratschenhebel

Delivery: **Easy** **Standard**

Part	Article-Nr.	A	B	C	D	E
375	37508	51.5	33	9	M5	15
375	37509	51.5	33	9	M6	15
375	37510	63	41	12	M8	15
375	37511	63	41	12	M8	20
375	37515	63	41	12	M8	55
375	37501	76.5	43	13	M8	20
375	37512	76.5	43	13	M8	25
375	37502	76.5	43	13	M10	25
375	37513	93.5	54	15.5	M10	20
375	37514	93.5	54	15.5	M10	25

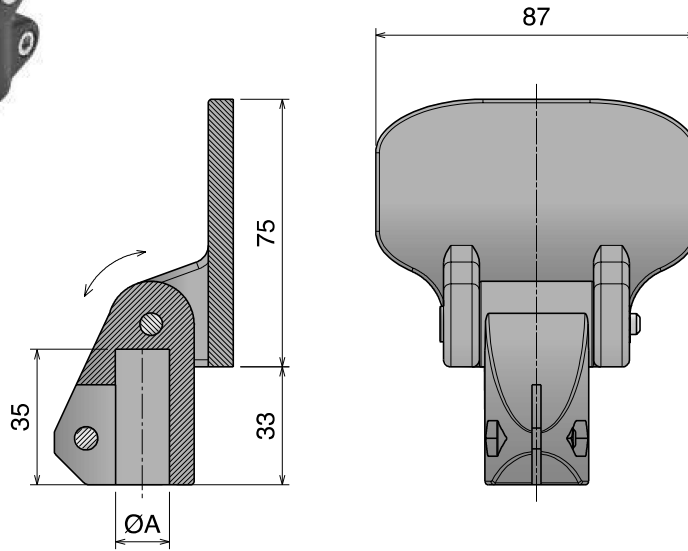


## 377

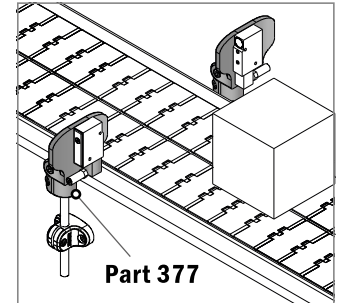
Morsetto standard per fotocellula o riflettore

Clamp for photocells or reflector / Klemme für Fotozelle oder Reflektor

Delivery: **Easy** Standard

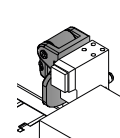


Part	Article-Nr.	ØA
377	37701	14
377	37702	16
377	37703	20

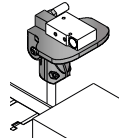


Part 377

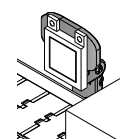
One product for several models of photocells reflectors:



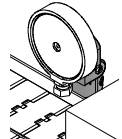
Omron E3A2



Leuze/RK18



Sigest/RF-230



Diell/RL110

and many other types:

Sick/WL36 - Datalogic/RT7

Omron/E35-R - Datalogic/R2

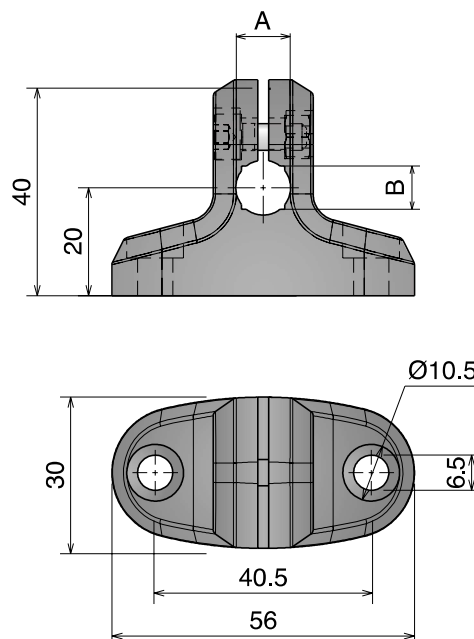
Example of application

## 378

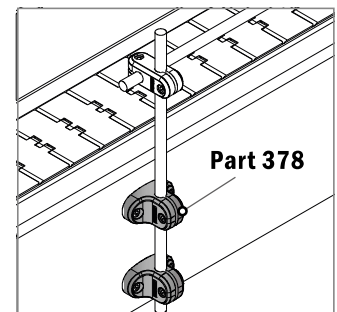
Morsetto a "T"

T-clamp / T-Klemme

Delivery: **Easy** Standard



Part	Article-Nr.	A	B
378	37801	10	8
378	37802	12	10
378	37803	14	12



Part 378

Example of application

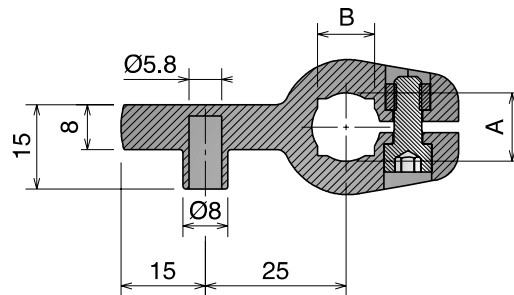
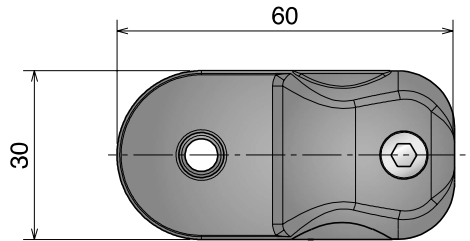
**Materiale / Material / Materialien:**

Morsetto: Poliammide/Clamp: Polyamide/Klemme: Polyamid

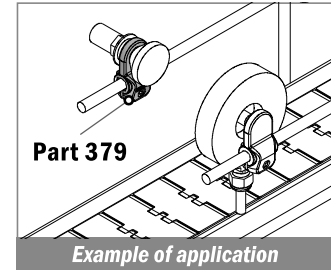
Viti e dadi: Acciaio inox/Screws and nuts: Stainless steel/Schraube und Mutter: Edelstahl

**379-380**

Componenti / Conveyor components / Komponenten

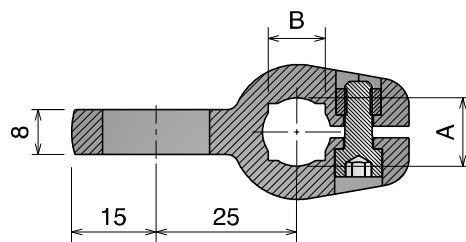
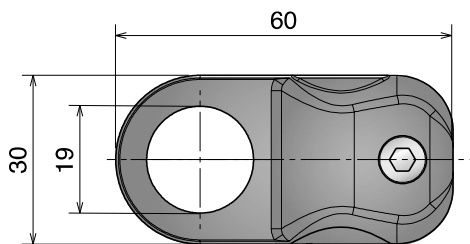
**379** Morsetto per riflettore  
Clamp for reflector / ReflektorklemmeDelivery: **Easy** Standard

Part	Article-Nr.	A	B
379	37901	10	8
379	37902	12	10
379	37903	14	12

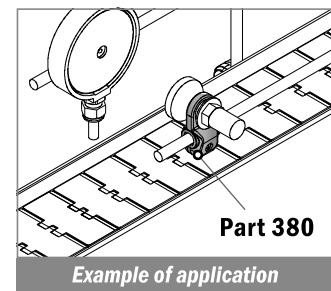


Part 379

Example of application

**380** Morsetto per fotocellule o sensori  
Clamp for photocells or sensors / Klemme für Lichtschranke oder SensorenDelivery: **Easy** Standard

Part	Article-Nr.	A	B
380	38001	10	8
380	38002	12	10
380	38003	14	12



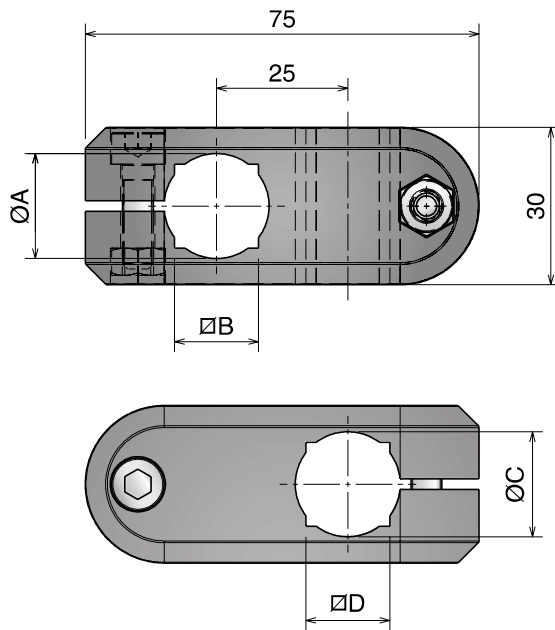
Part 380

Example of application

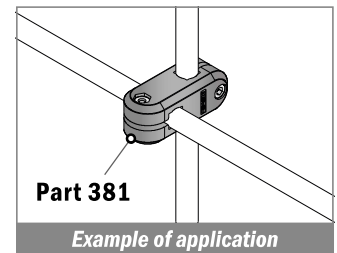
## 381 Morsetto a croce Cross clamp / Kreuzklemmee

**NOW ALSO IN HYGIENIC BLUE**

Delivery: **Easy** **Standard**



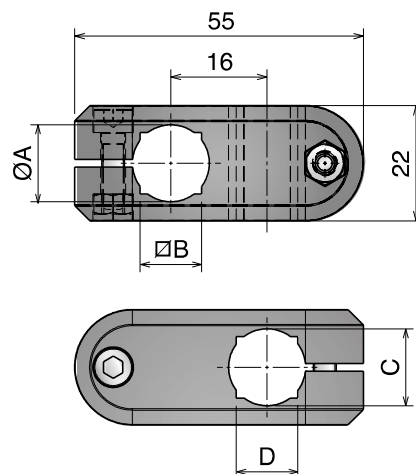
Part	Article-Nr.	ØA	ØB	ØC	ØD	Colour
381	38101	14	12	14	12	Black
381	38102	16	14	16	14	Black
381	38103	18	-	18	-	Black
381	38104	20	16	20	16	Black
381	38111	14	12	14	12	Hygienic blue
381	38112	16	14	16	14	Hygienic blue
381	38113	18	-	18	-	Hygienic blue
381	38114	20	16	20	16	Hygienic blue
381	38121	16	-	16	-	Stainless steel
381	38122	16	-	20	-	Stainless steel
381	38123	20	-	20	-	Stainless steel



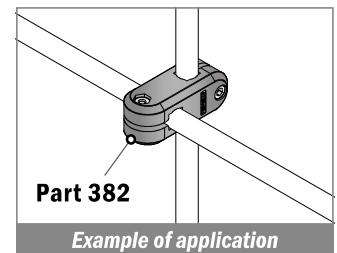
## 382 Morsetto a croce Cross clamp / Kreuzklemmee

**NOW ALSO IN HYGIENIC BLUE**

Delivery: **Easy** **Standard**



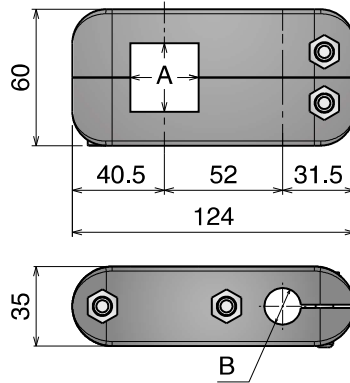
Part	Article-Nr.	ØA	ØB	C	D	Colour
382	38201	10	8	10	8	Black
382	38202	12	10	12	10	Black
382	38203	14	12	14	12	Black
382	38211	10	8	10	8	Hygienic blue
382	38212	12	10	12	10	Hygienic blue
382	38213	14	12	14	12	Hygienic blue



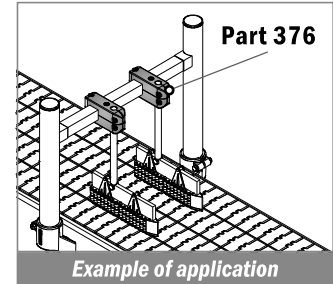
# 376 Morsetto a croce "extra" Extra Cross Block / Kreuzklemme "Extra"

Delivery: **Easy** Standard

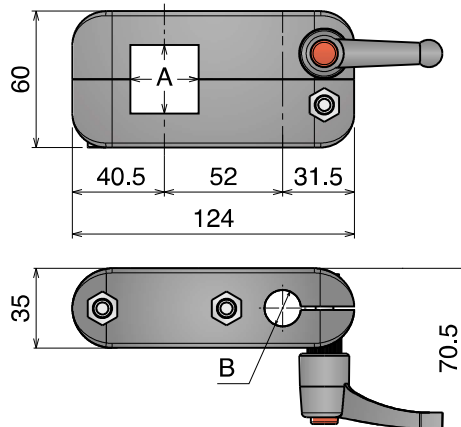
**NEW DESIGN**



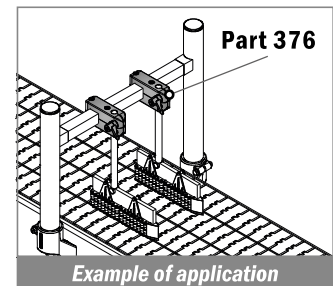
Part	Article-Nr.	A	B
376	37601	30x30	16
376	37604	30x30	20
376	37602	40x40	16
376	37603	40x40	20



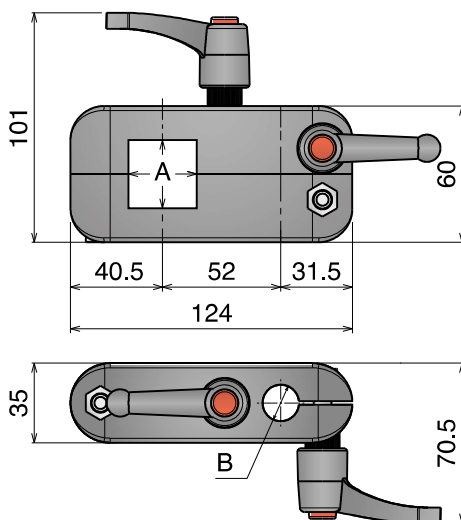
## Morsetto a croce "extra" con maniglia Extra Cross Block with handle / Kreuzklemme "Extra" m. Ratschenhebel



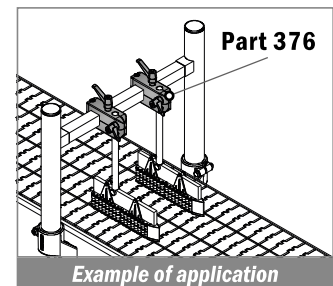
Part	Article-Nr.	A	B
376	37611	30x30	16
376	37614	30x30	20
376	37612	40x40	16
376	37613	40x40	20



## Morsetto a croce "extra" con maniglie Extra Cross Block with handles / Kreuzklemme "Extra" m. Ratschenhebel



Part	Article-Nr.	A	B
376	37621	30x30	16
376	37624	30x30	20
376	37622	40x40	16
376	37623	40x40	20



# 391-1097

Componenti / Conveyor components / Komponenten

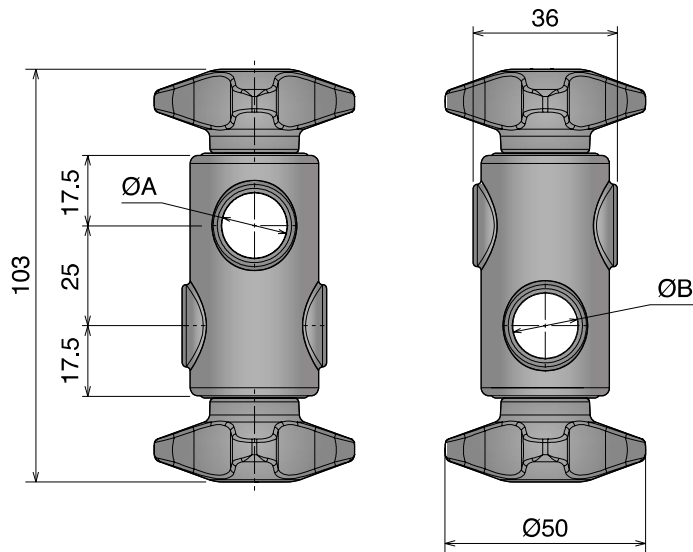
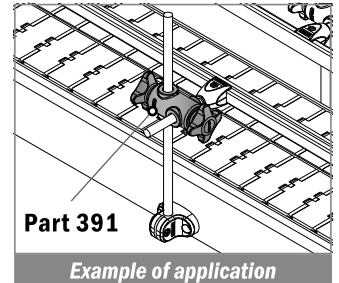
**Materiale / Material / Materialien:** Corpo: PA/Body: PA/Korpus: PA  
 Volantino: PA+ ottone nichelato/Knob: PA+ nickel plated brass/Stengriff: PA+ messing vernickelt  
 Tirante e rondella: Acciaio inox/Eyebolt and washer: Stainless steel/ Augenschraube und Unterlegs: Edelstahl

## 391 Morsetto a croce Cross clamp / Kreuzklemme

Delivery: **Easy** **Standard**



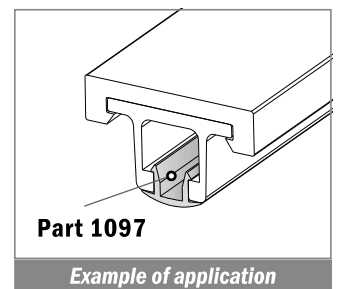
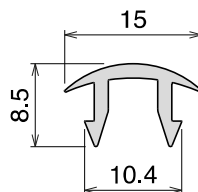
Part	Article-Nr.	ØA	ØB
391	39101	12	12
391	39103	14	14
391	39102	16	16
391	39104	12	16



## NEW 1097 Profilo di chiusura Closing profile / Abdeckprofil

Delivery: **Easy** **Standard**

Article-Nr.	Material	Availability	Supply
109701-30	Grey PVC	Stock item	30 m coils



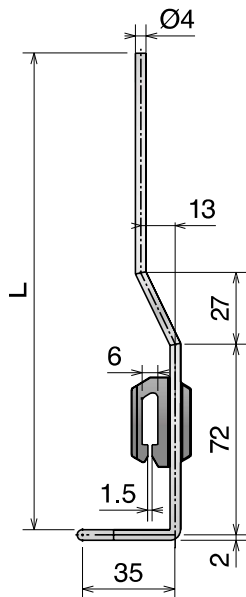
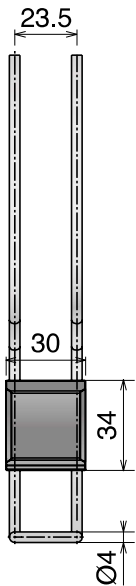
Used with Part:  
 154 - 155 - 159 - 164 - 165 - 188  
 358 - 359 - 360 - 361 - 1055 - 1088 - 1089



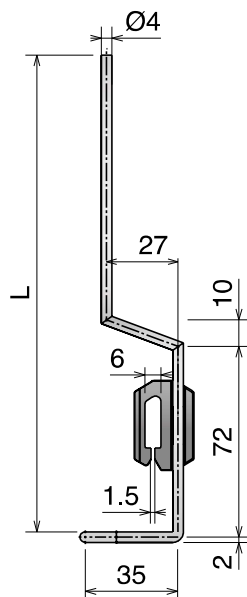
## 387 Sostegno per Sgocciolatoio Drip Tray Supports / Tropfblechhalter

Delivery: **Easy** Standard Max load capacity 20 Kg

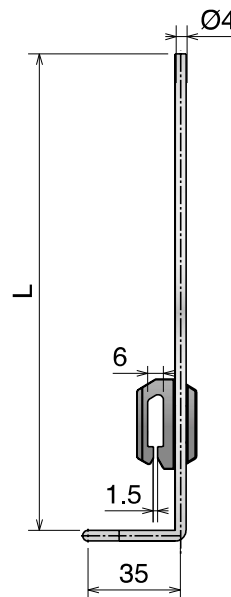
Part	Article-Nr.	L	Type
387	38701	180	A
387	38702	250	A
387	38703	180	B
387	38704	250	B
387	38705	280	B
387	38706	246	C
387	38707	396	C
387	38708	180	D
387	38709	250	D



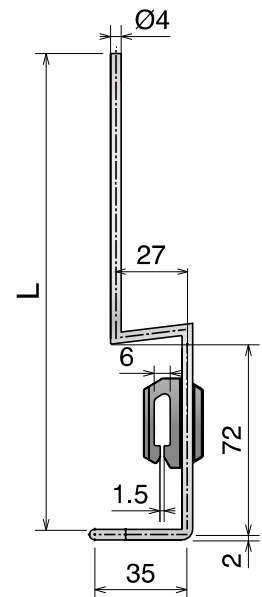
TYPE A



TYPE B



TYPE C

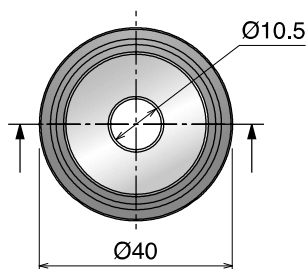
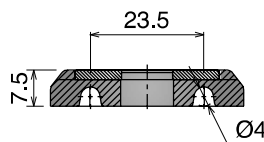
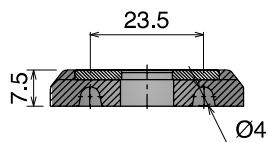


TYPE D

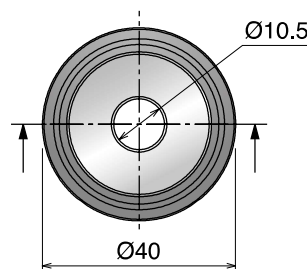
## 388 Rondella di fissaggio Fixing washer / Fixierscheibe

Delivery: **Easy** Standard

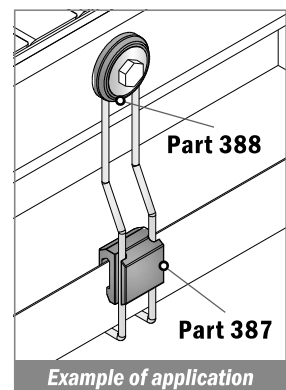
Part	Article-Nr.	Type
388	38801	A
388	38802	B



TYPE A



TYPE B



## NEW 903 Vite igienica certificata ed igienica Certified hygienic screw / Zertifiziert hygienische Schraube

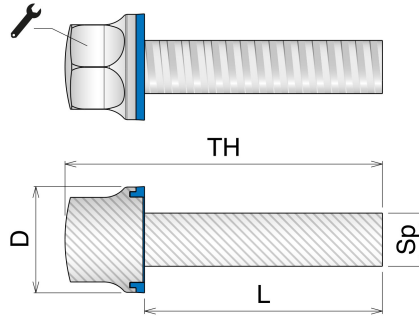
Delivery: **Easy** **Standard**



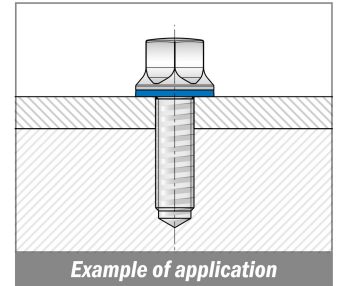
### Main features:

- Stainless steel AISI 304
- Blue seal for hermetic closure

Art-Nr.	Sp	D	TH	L		Box
903255	M8	16	58	45	13	10 pcs
903253	M10	20	60	45	16	10 pcs
903251	M12	24,5	78	60	18	10 pcs



**CERTIFIED PRODUCTS**  
ASK FOR CERTIFICATION:  
certificate@movexii.com



## NEW 903 Dado certificato ed igienico Certified hygienic nut / Zertifiziert hygienische Hutmutter

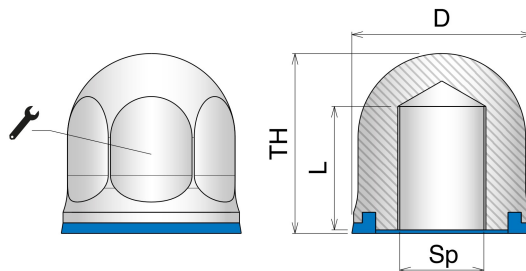
Delivery: **Easy** **Standard**



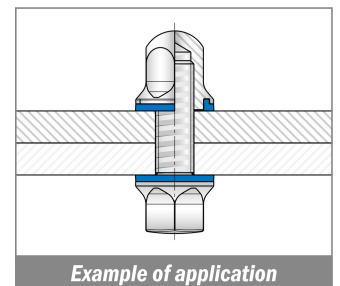
### Main features:

- Stainless steel AISI 304
- Blue seal for hermetic closure

Art-Nr.	Sp	D	TH	L		Box
903235	M6	13	14	10	10	10 pcs
903236	M8	16	17	12	13	10 pcs
903237	M10	20	20,5	15	16	10 pcs
903238	M12	24,5	25	18	18	10 pcs
903239	M16	32	32	23	24	10 pcs
903240	M20	39	38	27	30	10 pcs



**CERTIFIED PRODUCTS**  
ASK FOR CERTIFICATION:  
certificate@movexii.com



## 998 Dado Nut / Sechskantmutter

Delivery: **Easy** **Standard**



### Main features:

- Stainless steel (SS) or Zinc plated steel (FeZn)
- UNI 5588 - ISO 4032 - DIN 934

Art-Nr.	Art-Nr.	Sp	Box
SS	FeZn		
99801	99801Z	M10	50 pcs
99802	99802Z	M12	50 pcs
99804	99804Z	M16	10 pcs
99805	99805Z	M20	10 pcs
99806	99806Z	M24	5 pcs
99807	99807Z	M30	5 pcs
99808	99808Z	M36	5 pcs